

Installation Manual for

Monarch SCREEN and Double Door Link Kit **RETRACTABLE**™

*For Inswing and Outswing
Double Doors (French Doors)*

Durable. Reliable. Attractive.

*For door openings up to 74 ³/₁₆" (1,884 mm) wide
and 80 ⁹/₁₆" (2,047 mm) high*

Quick and
Easy to **Size**
and **Install**



Congratulations and thank you for buying a SEIKI product!

The Monarch Screen and the Double Door Link Kit are designed and manufactured by Seiki Screen Systems, one of Japan's largest and most respected manufacturers. Thanks to rigorous design and product testing, the Monarch Screen will provide years of dependable operation. Plus, it comes with a factory-supplied limited lifetime warranty on all parts against manufacturer's defects.

The Monarch Screen and Double Door Link Kit was designed for easy sizing and installation. This Installation Manual provides a step by step guide through the entire process. **We also recommend visiting the Seiki Website at www.seikiscreensystems.com/na for more information.**



*Any questions? Contact
our Help Line, Toll Free
at 1-877-446-7180.*



Index

<i>Getting to Know the Monarch Screen and Double Door Link Kit.....</i>	<i>4</i>
<i>Parts and Tool List.....</i>	<i>5</i>
<i>Measuring the Door Opening.....</i>	<i>6</i>
<i>Sizing the Monarch Screens.....</i>	<i>7</i>
<i>Cutting the Top and Bottom Rails and Screen Housing Assemblies.....</i>	<i>8</i>
<i>Installing the Bottom Rails</i>	<i>9</i>
<i>Preparing the Screen Housing Assemblies.....</i>	<i>10</i>
<i>Installing the Catch Bars.....</i>	<i>11</i>
<i>Installing the Screen Housing Assemblies.....</i>	<i>12</i>
<i>Installing the Top Rails.....</i>	<i>13</i>
<i>Adjusting the Tension Wires.....</i>	<i>14</i>
<i>Attaching the Fixing Strips.....</i>	<i>15</i>

The Monarch Screen and Double Door Link Kit is not intended for installation on a Sliding Patio Door.

Getting to Know the **Monarch Screen** and Double Door Link Kit

Become familiar with the Monarch Screen, the Double Door Link Kit and the door on which it will be installed.

The Monarch Screen and Double Door Link Kit accommodates both in-swing and out-swing doors. In-swing doors open to the inside of the home and require the Monarch Screen to be installed on the outside of the home. Out-swing doors open to the outside of the home and require the Monarch Screen to be installed on the inside of the home.

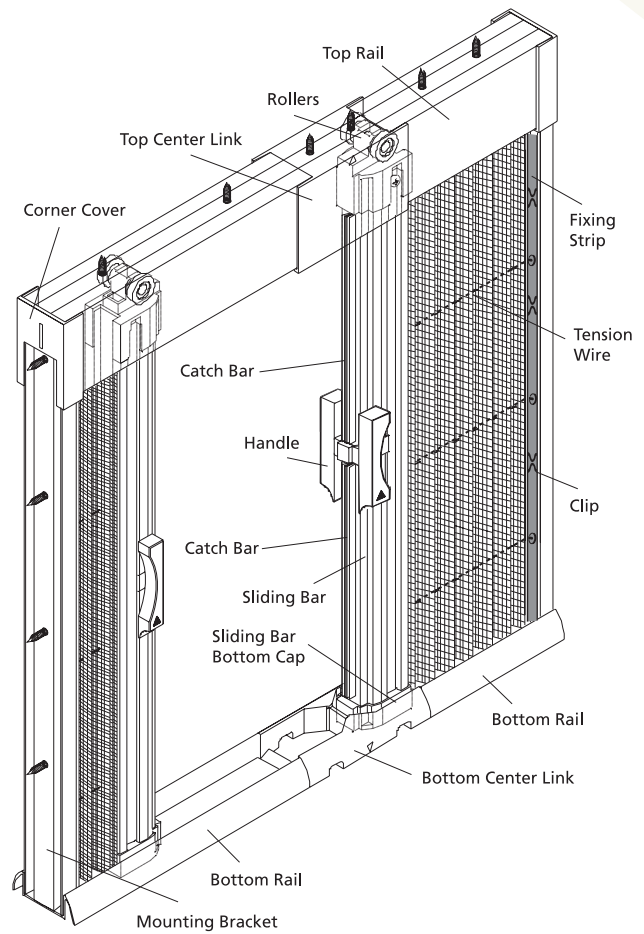
Does the Monarch Screen and Double Door Link Kit fit the Door Opening?

Next, make sure that the Monarch Screen and Double Door Link Kit will fit the door. This application will accommodate an opening of up to 74 3/16" (1,884 mm) wide, and 80 9/16" (2,047 mm) high. If the door opening is larger than this, the Monarch Screen can still be installed by attaching a filler strip under the door frame to reduce the height of the door opening. Refer to Page 6 for details.

Note: The Monarch Screen can only be shortened by 4" (100 mm) to a minimum height of 76 9/16" (1,947 mm). If the door opening is smaller than this, the Monarch Screen will not accommodate the door.

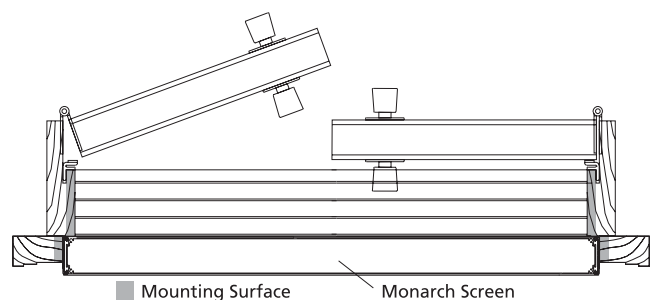
Is the Door Opening Square?

For the Monarch Screen to operate effectively, the door opening must be perfectly square. Using a Carpenter Square, check to ensure that the door frame is square. If not, use shims to bring the door frame to square before beginning installation.



Is there enough Mounting Surface?

The Monarch Screen is a recess mount screen that installs on the inside surface of the door frame. A minimum Mounting Surface of 1 3/4" (45 mm) is required. This mounting surface must be flat and flush, and at a right angle (90°) to the door.

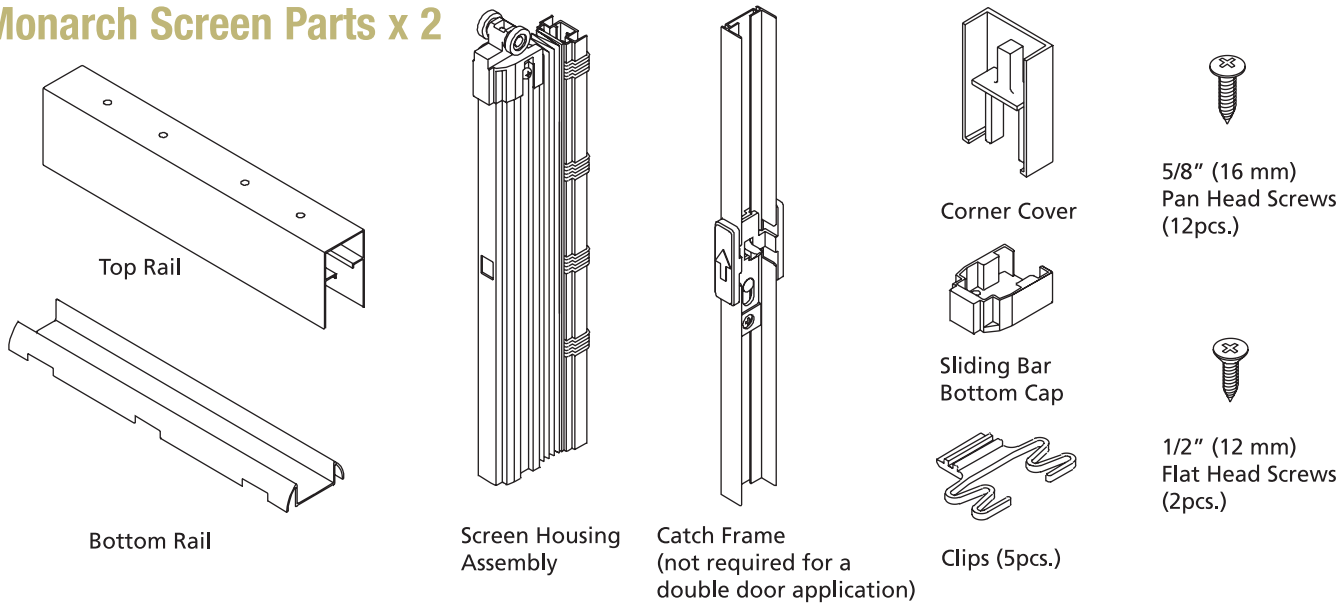


Parts and Tool List

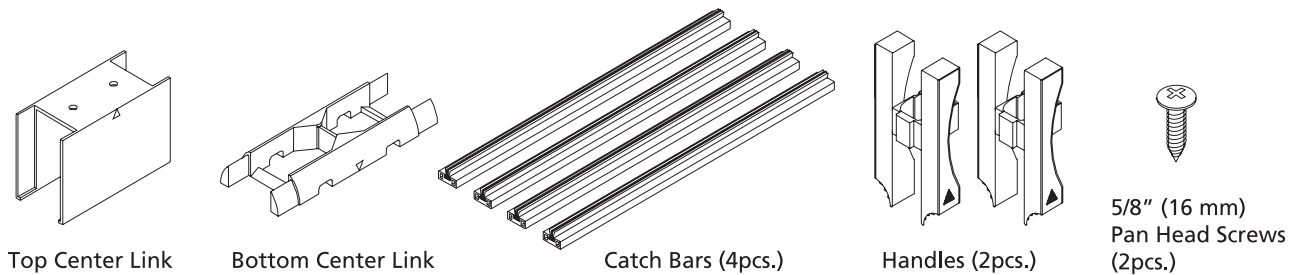
Before beginning, make sure that all these parts are included in the Monarch Screen and Double Door Link Kit packages.

For a double door application, two Monarch Screens, plus the Double Door Link Kit are required.

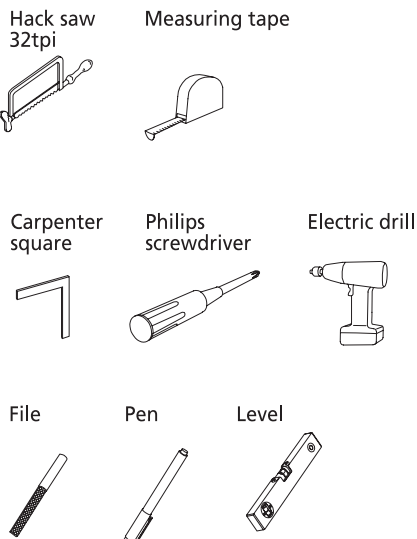
Monarch Screen Parts x 2



Double Door Link Kit Parts



Required Tools



Monarch Screens can be sized and installed using common household tools. Make sure all necessary tools are available before beginning.

NOTE: A chop saw can be used in place of a hacksaw provided that a bi-metal blade has been properly installed.

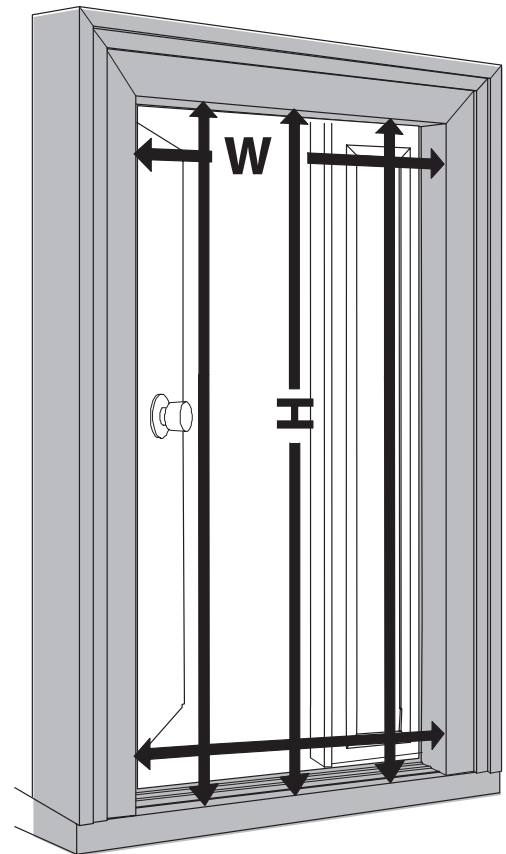
Measuring the *Door Opening*

Now it's time to measure the opening to see if each Monarch Screen must be cut to fit.

For the width, measure the dimension between the right and left trim or door frame at both the top and bottom of the doorway, as indicated in the diagram. Record the smallest of the two sizes in the box labeled "Width" below.

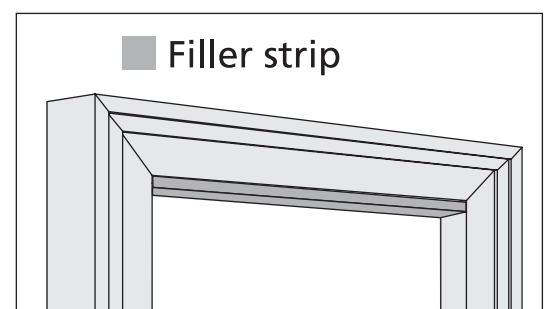
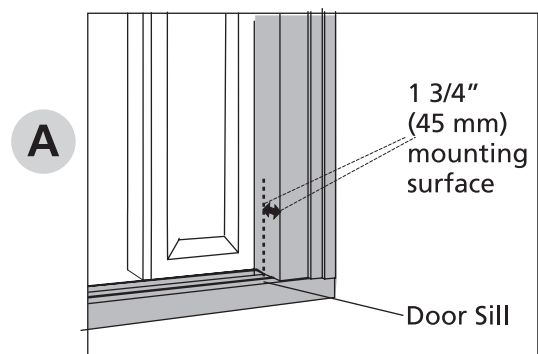
For the height, measure the dimension between the top trim/door frame (or filler strip if one was added) and the door sill at the point where the Monarch Screen will be installed.

Seiki recommends installing the Bottom Rails of the Monarch Screen flush with the door frame. To accommodate this positioning, measure from the top of the door frame to the door sill at a point 1 3/4" (45 mm) back from the outside edge of the trim or door frame. **(A)** Measure in three locations and record the smallest dimension in the box labeled "Height" below.



Width	Height

NOTE: If the height of the door opening is greater than the maximum height requirement, it is still possible to install the Monarch Screen and Double Door Link Kit. Simply attach a filler strip under the top exterior trim or door frame that will reduce the height of the door opening to at least 80 9/16" (2,047 mm). All measurements must be made after the filler strip has been installed.



Sizing the *Monarch Screens*

Two Monarch Screens and the Double Door Link Kit are designed to accommodate door openings up to 74 3/16" (1,884 mm) wide and 80 9/16" (2,047 mm) high. If the door opening is smaller than this, the Monarch Screens must be cut.

Determining Length to be Cut from Each Top Rail

To determine the length to be cut from each Top Rail, use the following formula:

(Measured Width)	[Length to be cut off]
$(74 \frac{3}{16}" (1,884 \text{ mm}) - [\quad])$	$\div 2 =$ <input type="text"/>

Determining Length to be Cut from Each Bottom Rail

To determine the length to be cut from each Bottom Rail, use the following formula:

(Measured Width)	[Length to be cut off]
$(75 \frac{7}{16}" (1,916 \text{ mm}) - [\quad])$	$\div 2 =$ <input type="text"/>

Determining Length to be Cut from Each Screen Housing Assembly

To determine the length to be cut from each Screen Housing Assembly, use the following formula:

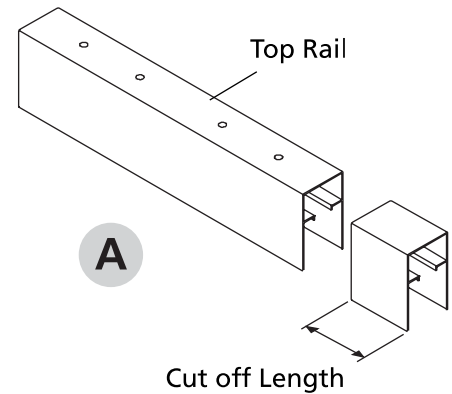
(Measured Height)	[Length to be cut off]
$80 \frac{9}{16}" (2,047 \text{ mm}) - [\quad]$	$=$ <input type="text"/>

NOTE: The Catch Frames from the Monarch Screen packages will be discarded because they are not required in a double door application.

Cutting the *Top and Bottom Rails* and Screen Housing Assemblies

Cutting the Top Rails

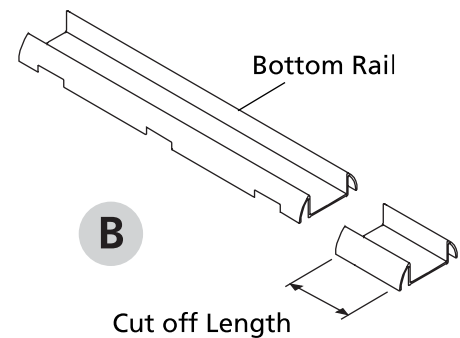
1. Using the “Length to be cut” dimension calculated on Page 7, carefully measure and mark both Top Rails on all sides to ensure an even cut. The Top Rails can be cut on either side.
2. Wearing safety glasses, cut straight through each Top Rail using either a chop saw or a hacksaw with a bi-metal blade. **(A)**



Cutting the Bottom Rails

Cutting the Bottom Rails of each Monarch Screen is just as easy.

1. Using the “Length to be cut” dimension calculated on Page 7, measure and mark both Bottom Rails on all sides. The Bottom Rails can be cut on either side.
2. Cut straight through each Bottom Rail. **(B)**

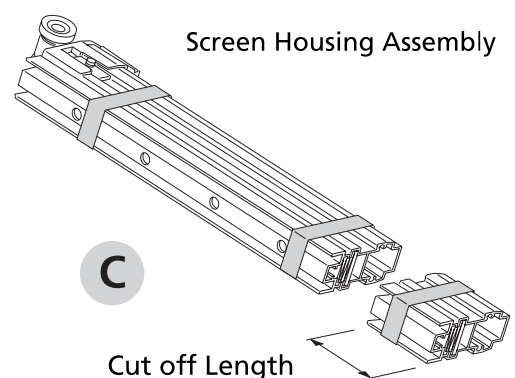


Cutting the Screen Housing Assemblies

All cutting will be done on the lower end of each Screen Housing Assembly, clear of the Tension Wires. Each Assembly is clearly marked with **CUT** and **NO CUT** zones. Both must be cut to the exact same length.

NOTE: No more than 4” (100 mm) can be cut from the Screen Housing Assembly.

1. Do **NOT** remove the tape that keeps the all elements of each Screen Housing Assembly (Mounting Bracket, Mesh and Sliding Bar) secure.
2. Carefully measure and mark each Screen Housing Assembly on all sides based on the Screen Housing “Length to be cut” dimension calculated on Page 7.
3. Wearing safety glasses, cut straight through all elements of each Screen Housing Assembly. **(C)**
4. After the cutting is complete, remove the tape that holds each Screen Housing Assembly together.



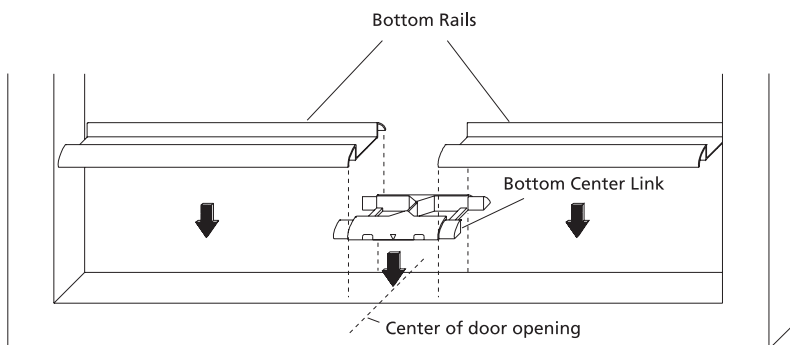
NOTE: After cutting any component of the Monarch Screen, make sure to use a file to remove all burrs.

Installing the *Bottom Rails*

Installing the Bottom Rails

NOTE: The position of the Bottom Rails will determine where on the trim or door frame the Monarch Screen Housings will be mounted. The Mounting Bracket of each Monarch Screen will be inserted into the Bottom Rail track before being secured to the door frame.

Seiki recommends positioning the outside edge of the Bottom Rails flush with the trim or door frame. This will result in each Monarch Screen Housing being mounted slightly inset from the outside of the trim or door frame.



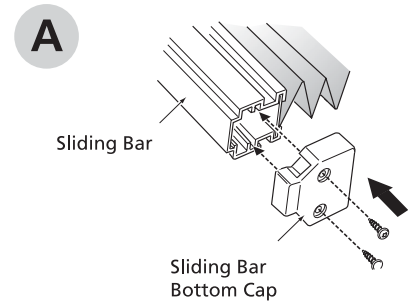
1. Measure and mark the exact center of the door opening.
2. Line up the marks on the front and back edge of the Bottom Center Link with the mark that was made to the door sill indicating the center of the door opening. Ensure that the front edge of the Bottom Center Link is flush with the trim or door frame.
3. Remove the backing from the adhesive tape of the back of both Bottom Rails.
4. Position each Bottom Rail over the ends of the Bottom Center Link and onto the door sill. Ensure that the Bottom Rails and Bottom Center Link form a straight line at a 90° angle to the side mounting surfaces.
5. Press the Bottom Rails firmly into place on the door sill.

Preparing the *Screen Housing Assemblies*

Attaching the Sliding Bar Bottom Cap and Corner Cover

The following procedures will be performed on both Screen Housing Assemblies used in this Double Door application.

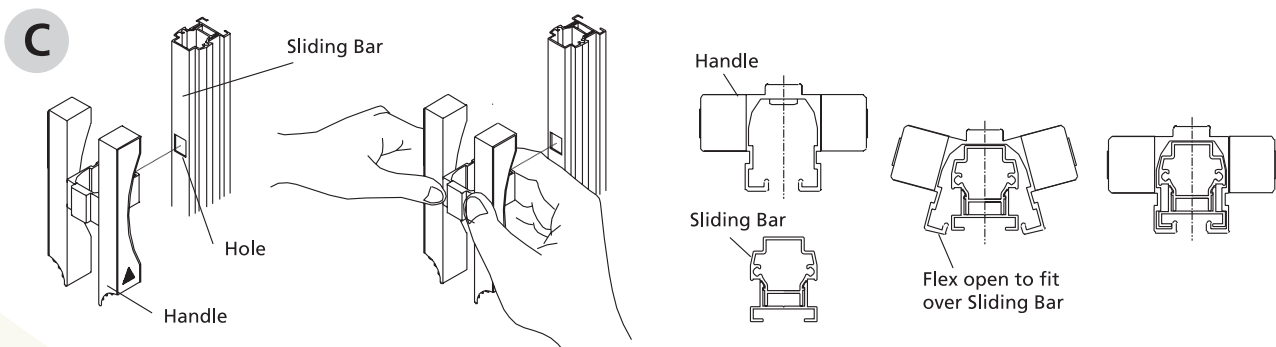
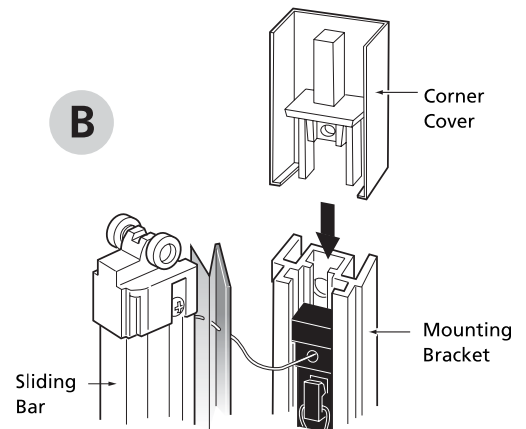
1. Attach the Sliding Bar Bottom Cap to the bottom of the Sliding Bar of each Screen Housing Assembly using the two screws provided. **(A)**
2. Insert the Corner Cover onto the top of the Mounting Bracket of each Screen Housing Assembly. **(B)**



Attaching the Handles

Now it's time to attach the Handles onto the Sliding Bars of both Screen Housing Assemblies.

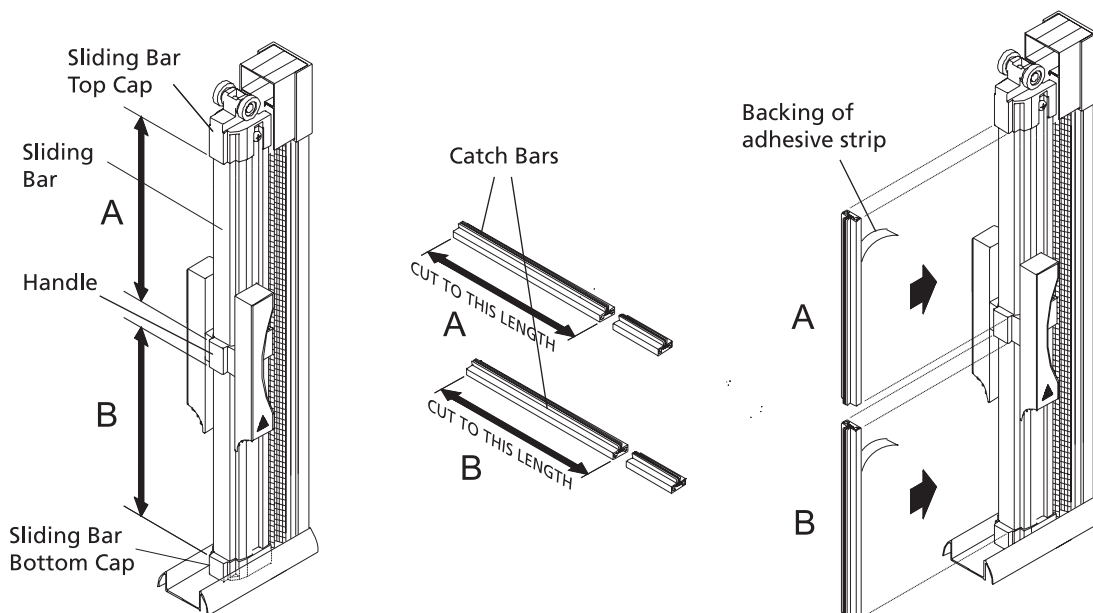
1. Locate the hole on the edge of each Sliding Bar. This is where the Handles will be attached. **(C)**
2. Make sure the Handles are oriented with the arrows on the side pointing towards the top of the Screen Housing Assembly.
3. Slightly flex back the sides to allow the Handle to fit over the Sliding Bar. When the Handle completely encases the Sliding Bar, the Handle will snap into place. The protrusion on the inside of the Handle will hit into the hole on the edge of the Sliding Bar to keep it secure.



Installing the *Catch Bars*

In order to ensure that there is no gap when the screens are closed, Catch Bars will be attached to the Sliding Bars of each Monarch Screen. The diagrams illustrate the procedure for installing the Catch Bars on the Screen Housing mounted on the right side of the door opening. The same procedures will be followed on the left side.

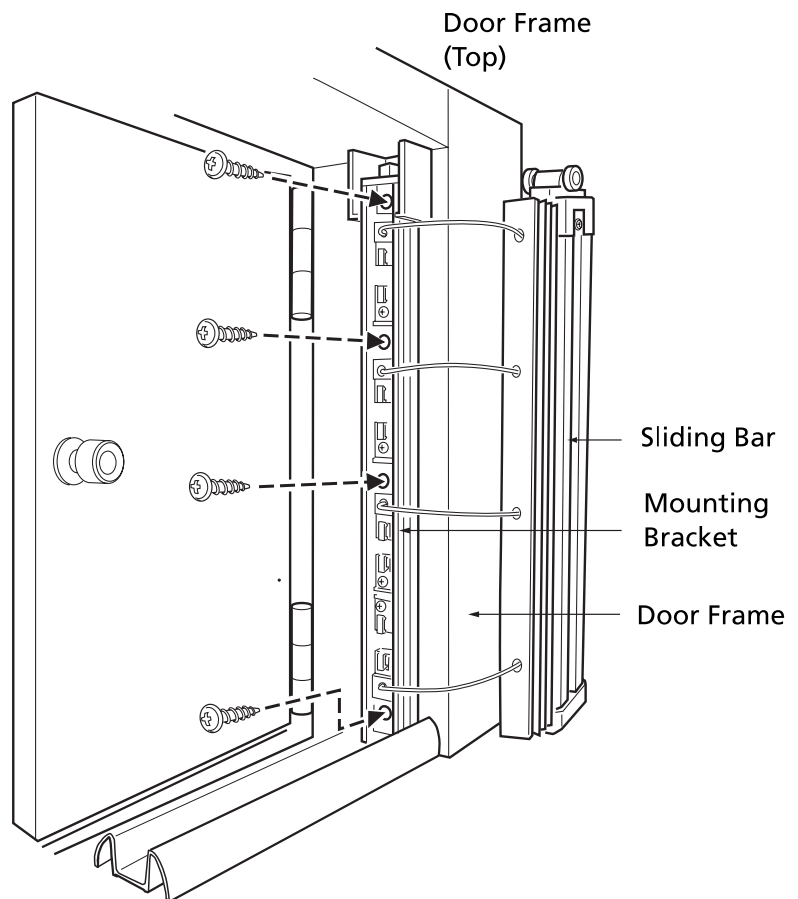
1. Measure the length **A** of the Sliding Bar between the bottom of the Sliding Bar Top Cap and the top of the Handle.
2. Measure the length **B** of the Sliding Bar between the bottom of the Handle and the top of the Sliding Bar Bottom Cap.
3. Measure and mark the Catch Bars using the lengths **A** and **B** measured above. Cut straight through using either a chop saw or a hack-saw with a bi-metal blade.
4. Remove the backing on the adhesive strips of each Catch Bar and attach to the appropriate location on the Sliding Bar.
5. Repeat this procedure for the Screen Housing on the left side of the door opening.



Installing the *Screen Housing Assemblies*

NOTE: One Screen Housing Assembly will be installed on each side of the door opening. The diagram illustrates the procedure for installing the Screen Housing on the right side of the door opening. The same procedures will be followed for the left.

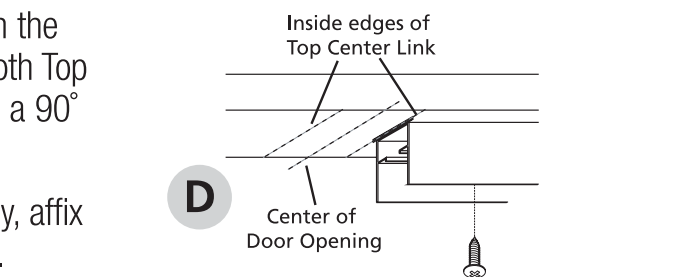
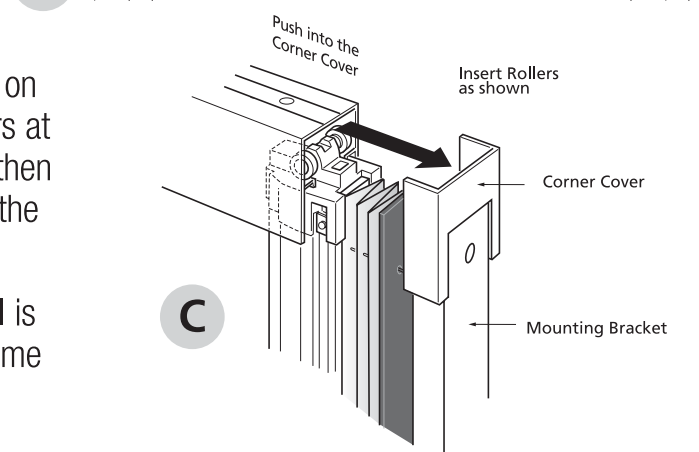
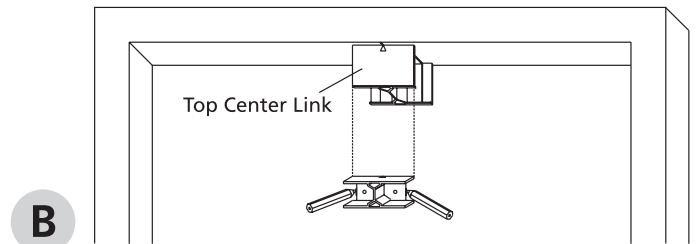
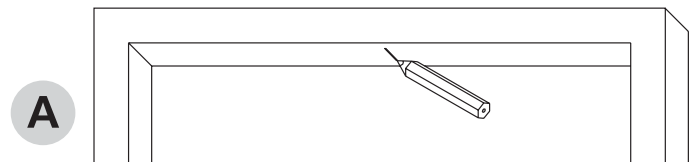
1. Remove the backing of the adhesive strip on the back of the Mounting Bracket.
2. Insert the bottom of the Mounting Bracket into the track of the Bottom Rail.
3. Push the Mounting Bracket upwards, ensuring that the top of the Corner Cover is tight against the upper portion of the trim or door frame.
4. Using a level, ensure that the Mounting Bracket is positioned plumb. Then press the Mounting Bracket firmly against the trim or door frame, allowing the adhesive tape to temporarily hold it in place.
5. Move the Sliding Bar and Mesh off to the side as indicated in the illustration.
6. Using the provided screws, secure the Mounting Bracket to the trim or door frame.
7. Finally, return the Sliding Bar and Mesh back to its original position, in front of the Mounting Bracket.
8. Perform the same procedures on the left side of the door opening.



Installing the *Top Rails*

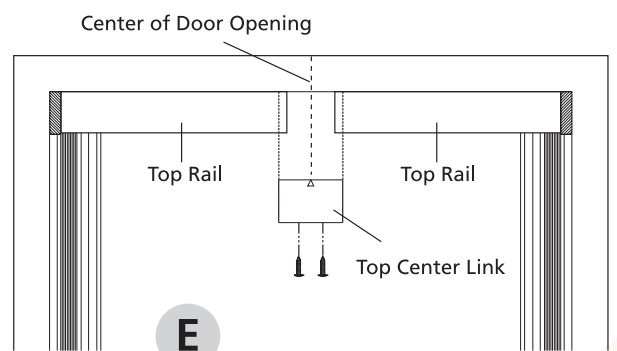
Installing the Top Rails

1. Measure and mark the underside of the door frame at the exact center of the door opening. **(A)**
2. Align the triangle on the center of the Top Center Link with the mark indicating the center of the door opening. Draw two lines along the inside edges of the Top Center Link as indicated. **(B)** Set the Top Center Link aside for the moment.
3. Remove the backing of the adhesive strip of one of the Top Rails.
4. Beginning with the Screen Housing located on the right of the door frame, insert the Rollers at the top of the Sliding Bar into the Top Rail, then push the Top Rail into the Corner Cover on the top of the Mounting Bracket. **(C)**
6. Ensure that the opposite end of the Top Rail is lined up with the line drawn on the door frame in Step 2. **(D)** Press the Top Rail firmly into place.
7. Repeat these procedures for the Top Rail on the left side of the door opening. Ensure that both Top Rails are positioned in a straight line and at a 90° angle to the side mounting surfaces.
8. When both Top Rails are positioned correctly, affix to the door frame with the screws provided.



Installing the Top Center Link

1. Remove the backing of the adhesive strip on the Top Center Link.
2. Place the Top Center Link into the space between the two Top Rails. Ensure that the triangle on the Top Center Link lines up with the mark drawn at the exact center of the door opening. **(E)**
3. When positioned correctly, affix the Top Center Link to the door frame using the screws provided.



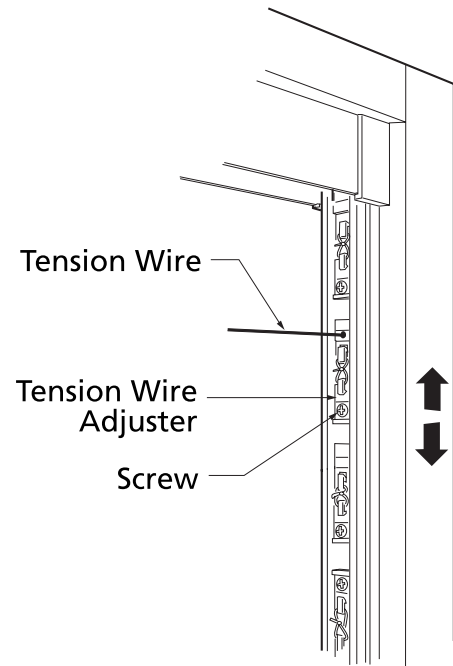
Adjusting the *Tension Wires*

For the Monarch Screen to operate smoothly, all Tension Wires should be taught and perfectly horizontal. If any of the Tension Wires are sagging, they must be adjusted.

1. Beginning with the right Screen Housing, move the Sliding Bar towards the center of the door opening until screen engages with the Bottom Center Link.
2. Beginning with the uppermost Tension Wire, loosen the screw on the Tension Wire Adjuster and move it to tighten or loosen.

NOTE: For best results, Tension Wires should be tightened only to the point where they are perfectly horizontal. Do **NOT** over tighten.

3. Once the desired tension has been achieved, simply tighten the screw to set.
4. Follow the same procedures for any other Tension Wires that need adjustment.
5. Perform the same operations on the left screen.



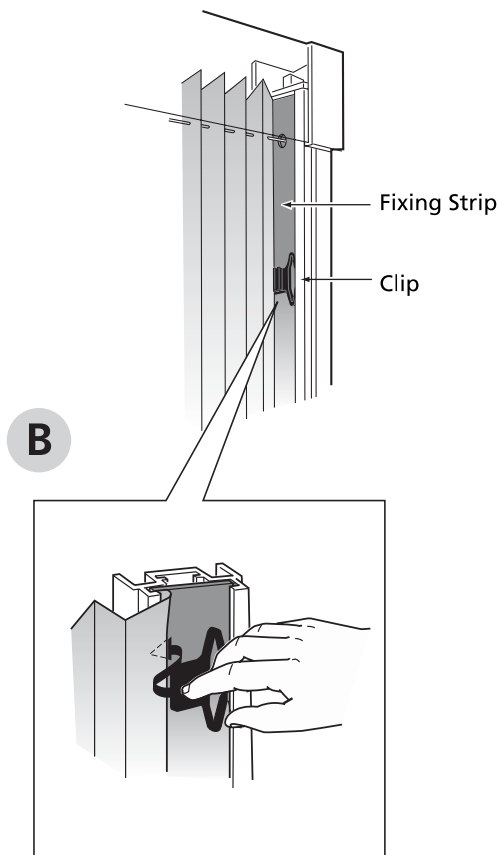
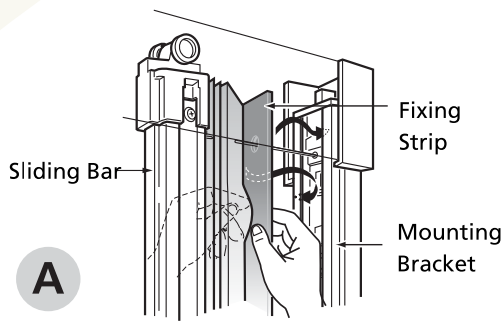
NOTE: Do **NOT** loosen all Tension Wire Adjusters at the same time.

Further Adjustments

After adjusting the Tension Wires, move each Sliding Bar back and forth to check the operation of the Monarch Screen. If any of the following circumstances are observed, make the appropriate adjustments.

Situation #1	Situation #2	Situation #3
<p>Gap</p>	<p>Gap</p>	<p>Loose Tension Wire</p>
Solution #1	Solution #2	Solution #3
<p>Keep the topmost Tension Wire Adjuster fixed, loosen the remaining Adjusters. Starting from the bottom Adjuster, adjust the tension of each wire to remove the gap as well as any sag in the Tension Wires.</p>	<p>To correct this situation, reverse the steps in Situation #1 starting from the top Adjuster.</p>	<p>Tighten the tension of the loose Tension Wire to the same tension as the other Tension Wires.</p>

Attaching the *Fixing Strips*



Now it's time to attach the Fixing Strips to the Mounting Brackets. The diagrams illustrate the procedure for attaching the Fixing Strip to the Mounting Bracket on the right side of the door opening. The same procedures will be followed for the left side.

1. Locate the Fixing Strip on the Screen Housing Assembly.
2. Insert the outside edge of the Fixing Strip into the recess inside the Mounting Bracket on the side furthest from the door. **(A)**
3. Using a small amount of pressure, push the other end of the Fixing Strip into the recess on the other side of the Mounting Bracket.
4. Insert the Clips that will secure the Fixing Strip to the Mounting Bracket. **(B)** The Clips should be positioned evenly between each of the Tension Wires.

*The Monarch Screen
and Double Door Link Kit
Installation is Now Complete!*

Service and Maintenance *Hints*

The Monarch Screen and Double Door Link Kit is designed and engineered to be maintenance free. The following are some helpful hints to ensure the smooth operation of the Monarch Screen for years to come.

- All moving components used in the Monarch Screen are manufactured from a mixture of nylon and other materials. This combination of compounds is strong, impact resistant, and self-lubricating. Do not use oil, grease, or oil based sprays or lubricants on any of the components on the Monarch Screen. These products attract dirt and debris, and may cause the Monarch Screen to react abnormally. However, the periodic application of a dry silicon lubricant to the moving parts is permissible.
- We recommend that while not in use, the Monarch Screen be kept in the retracted position. This will help extend the life of the screen mesh. In the retracted position, the mesh is protected and kept clean.
- The Bottom Rail should be kept free of dirt and debris. Use a broom to remove any obstructions from the Bottom Rail.
- If the screen mesh becomes damaged or torn, a Replacement Mesh Cartridge can be purchased separately through your local dealer or retailer.

*** Before installing the Monarch Screen, please take the time to read the installation instructions thoroughly.**

The Monarch Screen and Double Door Link Kit was designed for easy sizing and installation. This installation Manual provides a step by step guide through the entire process.

If there are any questions during the installation of the Monarch Screen and Double Door Link Kit, we recommend visiting the Seiki Website at www.seikiscreensystems.com/na.



Seiki provides a number of online manuals on:

- **Product Information**
- **Double Door Link Kit Installation**

Still Have Questions?

Call the Toll Free Seiki Do it Yourself Hotline:

1-877-446-7180



Monarch Screen and Double Door Link Kit

Limited Lifetime/Non-transferable Manufacturers Warranty

The Monarch Screen and Double Door Link Kit is warranted by Seiki Screen Systems to be free of manufacturers' defects in materials or workmanship, for as long as the original purchaser owns and or resides at that residence and that the product remains at its original point of installation. Seiki Screen Systems will repair or replace at its discretion any component, within the terms and conditions of this warranty, which is deemed as being defective from the manufacturing process upon proof of purchase. This warranty excludes the screen mesh. Furthermore this warranty does not cover components damaged through improper use or installation, or if components have been altered from their original state in a manner not otherwise prescribed in this manual. This warranty is strictly limited to defective components only. This non-transferable, limited warranty excludes labor, breakage or damage due to normal wear and tear, lack of maintenance, or use for other than residential applications, accidents and "acts of god". Replacements or repairs made subject to this limited warranty are otherwise warranted for the balance of the original warranty period. Seiki Screen System's liability under this limited warranty is restricted to the corrective actions as set forth herein and contrarily repudiates all incidental and consequential damage. It is the responsibility of the consumer to notify Seiki Screen Systems of missing components, within 30 days of the purchase of the Monarch Screen and Double Door Link Kit.

The Monarch Screen and Double Door Link Kit is designed to assist in keeping unwanted insects from the home; it is in no way intended as a safety or security device to prevent access by individuals, animals or small children. Liability for any damages, including but not limited to general, special, indirect, incidental, consequential, aggravated, punitive or exemplary damages, and economic loss, as well as for breach of any expressed or implied warranties, including but not limited to implied warranties of merchantability, quality and fitness for any purpose other than as prescribed herein, is disavowed and omitted here from, to the extent that such a disclaimer and preclusions are permitted by the laws of any particular jurisdiction.

Maintenance: Keep Bottom Rail clean and free of debris. Periodic use of silicone spray to the rollers on the top of the Sliding Bar is recommended; do not use petroleum-based lubricants.

Monarch Screen and Double Door Link Kit
Manufactured by
Seiki Screen Systems
PRODUCT INFORMATION MANUAL
For warranty claims
Call 1-877-446-7180
Or email: info@seikiscreensystems.com

For maintenance and helpful hints, please refer to our web site,
www.seikiscreensystems.com/na