

*Installation Manual for*  
**Vista PLUS SCREEN**  
*and Double Door Link Kit* **RETRACTABLE™**

*For Double Doors (French Doors)*

*Durable. Reliable. Attractive.*

*For door openings up to 72" (1,828 mm) wide  
and 81 1/4" (2,064 mm) high*

**Quick** and  
**Easy** to **Size**  
and **Install**



# *Congratulations and thank you for purchasing a SEIKI product!*

The Vista Plus Screen and the Double Door Link Kit are designed and manufactured by Seiki Screen Systems, one of Japan's largest and most respected manufacturers. Thanks to rigorous design and product testing, the Vista Plus Screen will provide years of dependable operation. Plus, it comes with a factory-supplied limited lifetime warranty on all parts against manufacturer's defects.

The Vista Plus Screen and Double Door Link Kit was designed for easy sizing and installation. This Installation Manual provides a step by step guide through the entire process. **We also recommend visiting the Seiki Website at [www.seikiscreensystems.com/na](http://www.seikiscreensystems.com/na).**



*Any questions? Contact  
our Help Line, Toll Free  
at 1-877-446-7180.*



# Index

<i>Getting to Know the Vista Plus Screen and Double Door Link Kit.....</i>	<i>4</i>
<i>Parts and Tool List .....</i>	<i>5</i>
<i>Measuring the Door Opening.....</i>	<i>6</i>
<i>Sizing the Vista Plus Screens.....</i>	<i>7</i>
<i>Cutting the Top/Bottom Rails and Catch Bar .....</i>	<i>8</i>
<i>Cutting the Screen Housings .....</i>	<i>9</i>
<i>Installing the Latch Hole Covers.....</i>	<i>10</i>
<i>Installing the Catch Bars.....</i>	<i>11</i>
<i>Installing the Mounting Brackets and Screen Housings.....</i>	<i>12</i>
<i>Installing the Top Rails .....</i>	<i>13</i>
<i>Installing the Bottom Rails.....</i>	<i>14</i>
<i>Installing the Top and Bottom Center Links .....</i>	<i>15</i>
<i>Final Adjustments.....</i>	<i>16</i>
<i>Service and Maintenance Hints .....</i>	<i>17</i>

The Vista Plus Screen and Double Door Link Kit is not intended for installation on a Sliding Patio Door.

# Getting to Know the *Vista Plus Screen* and *Double Door Link Kit*

**Before beginning, become familiar with the Vista Plus Screen, the Double Door Link Kit and the door opening.**

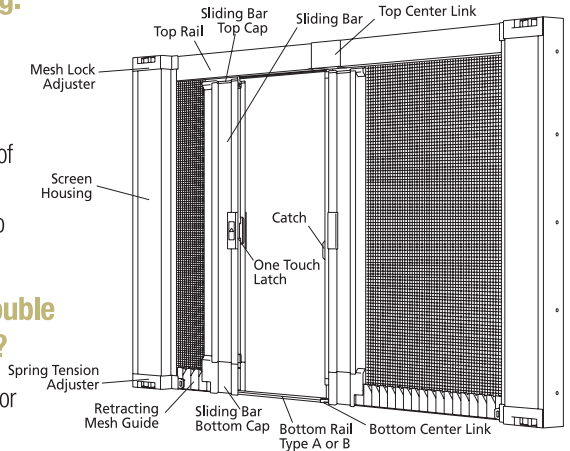
The Vista Plus Screen can be installed on both in-swing and out-swing doors. In-swing doors open to the inside of the home and require the Vista Plus Screen to be installed on the outside of the home. Out-swing doors open to the outside of the home and require the Vista Plus Screen to be installed on the inside of the home.

## Does the Vista Plus Screen and Double Door Link Kit fit the Door Opening?

Make sure the Vista Plus Screen and Double Door Link Kit will fit the door. This application will accommodate a door opening of up to 72" (1,828 mm) wide and 81 ¼" (2,064 mm) high. If the door opening is larger than this, the Vista Plus Screen can still be installed by attaching a filler strip under the door frame to reduce the height of the door opening. Refer to page 6 for details.

## Is there enough Mounting Surface?

The Vista Plus Screen and Double Door Link Kit is a recess mount screen which installs on the inside surface of the door frame (Mounting Surface as indicated in diagram (A)). To ensure that the Vista Plus Screen and Double Door Link Kit is fully recessed after installation, there must be at least 1 ½" (42 mm) of mounting surface. However the Vista Plus Screen can accommodate a minimum mounting surface of 1 ⅛" (28 mm). In this instance, the Mounting Brackets will extend slightly beyond the door frame. This mounting surface must be flat and flush, and at a right angle (90°) to the door.

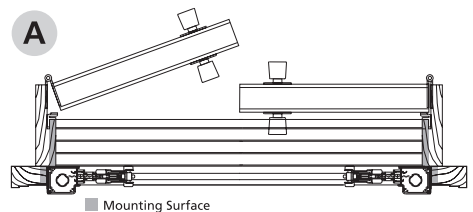


## Is the Door Opening Square?

For the Vista Plus Screen to operate effectively, the door opening must be perfectly square. Using a Carpenter Square, check to ensure that the door frame is square. If not, use shims to bring the door frame to square before beginning installation.

## Have the correct Models been Purchased?

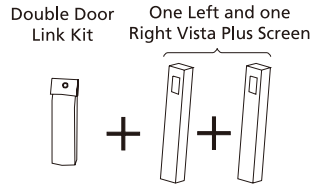
Finally, make sure the correct models have been purchased! For installation on a double door (French Door) one Vista Plus Screen for "LEFT" hinged doors, one Vista Plus Screen for "RIGHT" hinged doors, and the **Double Door Link Kit** are required.



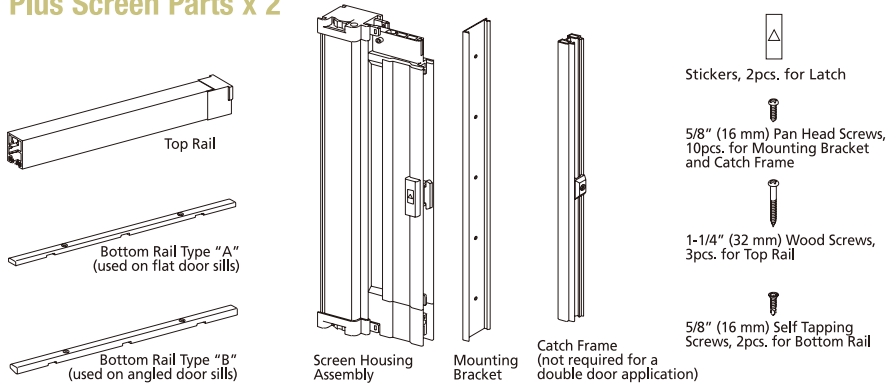
# Parts and Tool list

Before beginning, make sure that all these parts are included in the Vista Plus Screen packages.

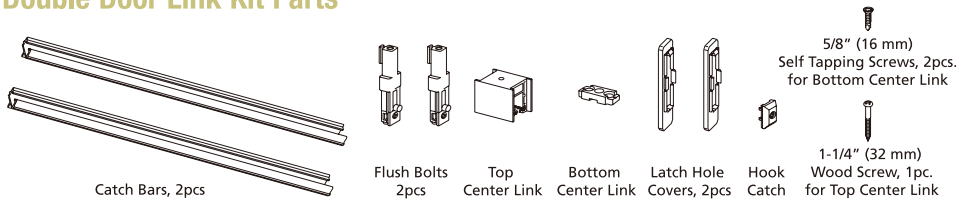
For a double door application, one left and one right Vista Plus Screen, plus the Double Door Link Kit are required.



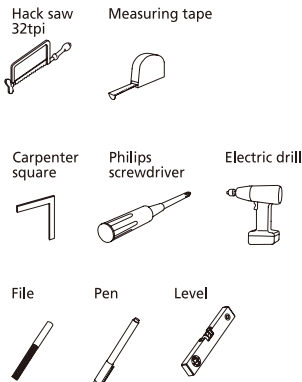
## Vista Plus Screen Parts x 2



## Double Door Link Kit Parts



## Required Tools



Vista Plus Screens can be sized and installed using common household tools. Make sure all necessary tools are available before beginning.

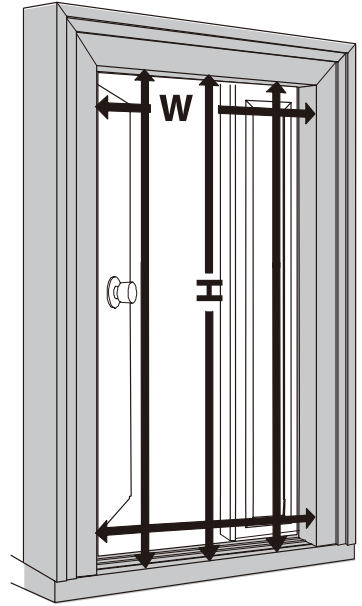
**NOTE:** A chop saw can be used in place of a hacksaw provided that a bi-metal blade has been properly installed.

# Measuring the *Door Opening*

Now it's time to measure the door opening. Two Vista Plus Screens with the Double Door Link Kit will accommodate a door opening of up to 72" (1,828 mm) wide and 81 1/4" (2,064 mm) high. If the door opening is smaller than this, the Vista Plus Screens will have to be cut.

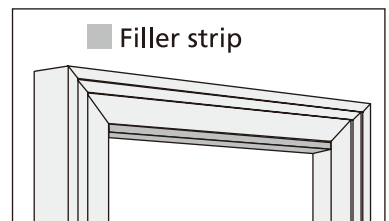
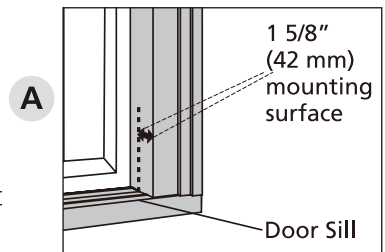
**For the width,** measure the dimension between the right and left sides of the door frame at both the top and bottom of the doorway as indicated in the diagram. Record the smallest of the two sizes in the box labeled "Width" below.

**For the height,** measure dimension between the top of the door frame and the door sill at the point where the Vista Plus Screen will be installed. Seiki recommends positioning the Vista Plus Screen flush with the outside edge of the door frame (the furthest point away from the door.) Measure from the top of the door frame to the door sill at a point 1 5/8" (42 mm) back from the outside edge of the door frame. **(A)** Measure in all three locations and record the smallest dimension in the box labeled "Height" below.



Width	Height

**NOTE:** If the door opening is too high, a filler strip must be installed before the Vista Plus Screen and Double Door Link Kit can be installed. The filler strip must reduce the door opening to 81 1/4" (2,064 mm) or less. All measurements must be made after the filler strip has been installed.



# Sizing the *Vista Plus Screens*

If the door opening is smaller than 72" (1,828 mm) wide and 81 1/4" (2,064 mm) high, the Vista Plus Screens must be cut.

## *Determining Length to be Cut from Each Top and Bottom Rail*

To determine the length to be cut from each Top and Bottom Rail, use the following formula:

(Measured Width)	[Length to be cut off]
$(72'' (1,828 \text{ mm}) - [ \quad ] ) \div 2 =$	<input type="text"/>

## *Determining Length to be Cut from Each Screen Housing Assembly and One Catch Bar*

To determine the length to be cut from each Screen Housing Assembly, and one of the Catch Bars, use the following formula:

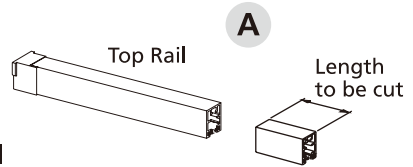
(Measured Height)	[Length to be cut off]
$81 \frac{1}{4}'' (2,064 \text{ mm}) - [ \quad ] =$	<input type="text"/>

**NOTE:** If cutting is required, only **ONE** Catch Bar from the Double Door Link Kit will be cut. The Catch Frames from the Vista Plus Screen packages will be discarded because they are not required in a double door application.

# Cutting the Top and Bottom Rails and Catch Bar

## Cutting the Top Rails of Each Vista Plus Screen is an easy process.

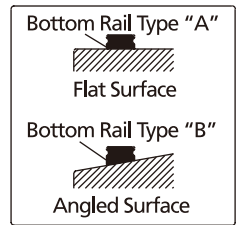
1. Using the “Length to be cut” dimension calculated on Page 7, carefully measure both Top Rails on the end opposite the end cap. Mark on all sides to ensure an even cut. Both Top Rails must be cut to the same size.
2. Wearing safety glasses, cut straight through each Top Rail using either a chop saw or a hacksaw with a bi-metal blade. **(A)**



## Choosing and Cutting the Bottom Rails

Before cutting, it is important to select the correct Bottom Rails for installation. Each Vista Plus Screen package comes with two Bottom Rails to accommodate both flat and angled door sills. Please refer to **(B)** to determine the correct Bottom Rail.

1. Using the same “Length to be cut” dimension used for the Top Rail, measure and mark the appropriate Bottom Rails on all sides to ensure an even cut. The Bottom Rails can be cut on either side.
2. Cut straight through each Bottom Rail. **(C)**

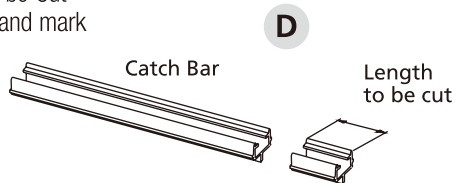
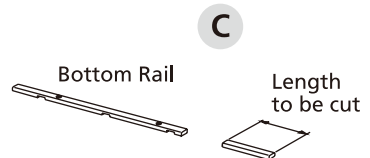


Choose the correct Bottom Rail for either flat or angled door sills.

## Cutting the Catch Bar

The Double Door Link Kit comes with two (2) Catch Bars. If sizing is required, only **one** Catch Bar is to be cut. Either end of the Catch Bar can be cut.

1. Using the Screen Housing and Catch Bar “Length to be Cut” dimension calculated on Page 7, carefully measure and mark one Catch Bar on all sides to ensure an even cut.
2. Cut straight through the Catch Bar. **(D)**



Cut only one Catch Bar.

**NOTE:** It is important to wear safety glasses at all times when cutting components of the Vista Plus Screen. After cutting any part of the Vista Plus Screen, use a file to remove any burrs from the cut surfaces.



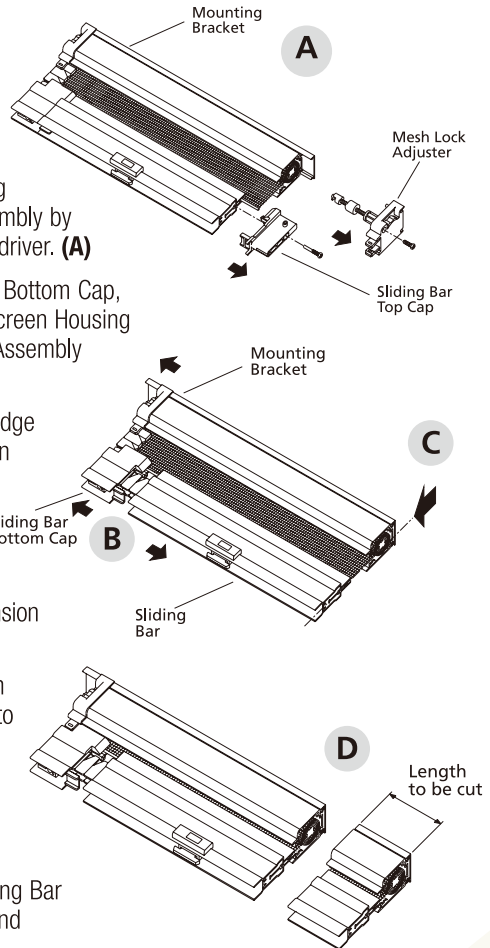
# Cutting the *Screen Housings*

**It is easy to cut right through the Screen Housing Assembly of the Vista Plus Screen using a chop saw or hacksaw.**

The diagrams illustrate the procedure for cutting the Left Screen Housing Assembly. The same procedures will be followed for the Right Screen Housing Assembly. Both Left and Right Screen Housings must be cut to the same length.

**NOTE:** All cutting will be done on the upper end of the Screen Housing Assembly. The Mounting Bracket on the Screen Housing Assembly is clearly labeled with **CUT** and **NO CUT** zones.

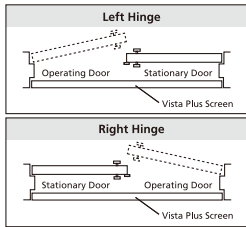
1. Remove the Mesh Lock Adjuster and Sliding Bar Top Cap from the Screen Housing Assembly by removing their screws with a Phillips screwdriver. **(A)**
2. Detach the Sliding Bar from the Sliding Bar Bottom Cap, and slide it towards the upper end of the Screen Housing Assembly until it is aligned with top of the Assembly and the mesh. **(B)**
3. Slide the Mounting Bracket until its upper edge is aligned with the upper edge of the Screen Housing Assembly. **(C)**
4. With all components aligned, carefully measure and mark the Screen Housing, Sliding Bar and Mounting Bracket on all sides based on the "Length to be cut" dimension calculated on Page 7. **(D)**
5. Wearing safety glasses, cut straight through all components of the assembly. Use a file to remove any burrs from the cut surfaces.
6. Re-attach the Sliding Bar onto the Sliding Bar Bottom Cap. **(B)** Make sure that it is pushed in as far as it will go.
7. Re-attach the Mesh Lock Adjuster and Sliding Bar Top Cap to the Screen Housing Assembly and replace the screws. **(A)**
8. Slide the Mounting Bracket completely off the Screen Housing and set aside.



# Installing the *Latch Hole Covers*

Now it's time to install the components of the Double Door Link Kit onto the Screen Housing Assembly.

**Note:** The Double Door Link Kit components should be installed on the Screen Housing that will be mounted on the side of the door opening where the Stationary Door is located.



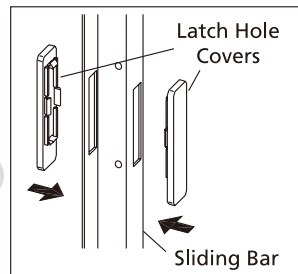
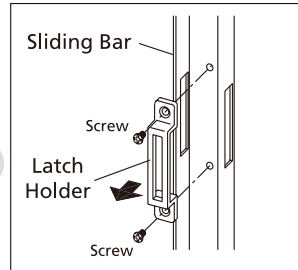
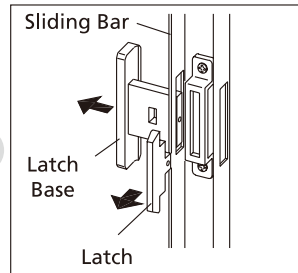
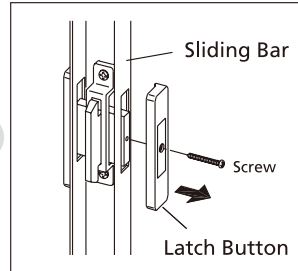
The diagrams illustrate the procedure for installing the Double Door Link Kit components on the Right Screen Housing for applications with the stationary door on the right. If the stationary door is on the left, then the components should be installed on the Left Screen Housing. The same procedures will be followed for either application.

## Removing the Latch

1. Remove the Latch Button from the Sliding Bar by removing the screw with a screwdriver. **(A)**
2. Detach first the Latch, then the Latch Base from the Sliding Bar. **(B)**
3. Remove the Latch Holder **(C)** from the Sliding Bar by removing the two screws.

## Installing the Latch Hole Covers

4. Finally, snap the two Latch Hole Covers into the holes on the front and back of the Sliding Bar. **(D)**



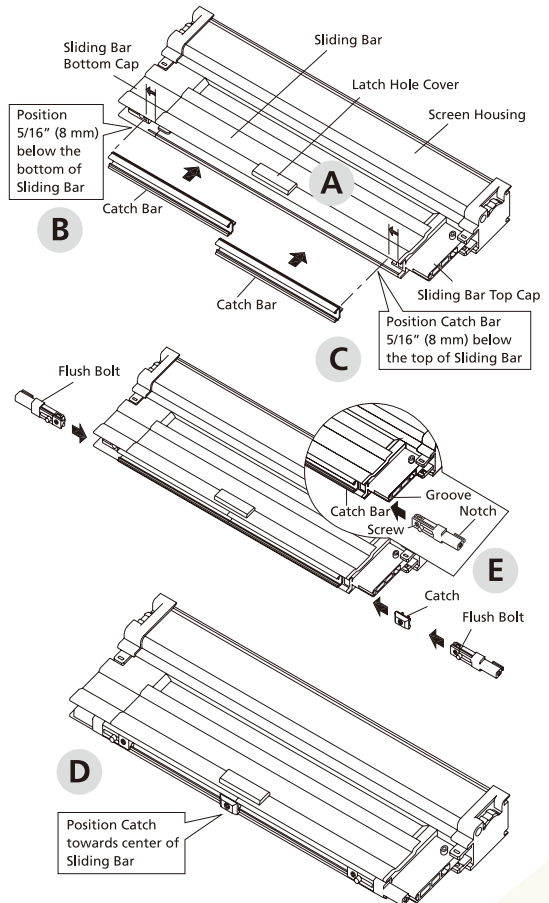
# Installing the *Catch Bars*

Now it's time to install the components of the Double Door Link Kit onto the Screen Housing Assembly.

**NOTE:** The Double Door Link Kit components should be installed on the Screen Housing where the Latch was removed and the Latch Hole Covers were installed. The diagrams illustrate the procedure for installing the Double Door Link Kit components on the Right Screen Housing. If the Latch Hole Covers were installed on Left Screen Housing, the same procedures will be followed.

## Installing the Catch Bars

1. Snap the two Catch Bars into the Sliding Bar from the side. (**NOTE:** A rubber mallet can be used if the fit is tight.) If the Catch Bars needed to be sized, insert the cut Catch Bar towards the top of the Sliding Bar and the uncut Catch Bar towards the bottom. (**A**)
2. Position the lower Catch Bar 5/16" (8 mm) below the bottom of the Sliding Bar (**B**) and the top of the upper Catch Bar 5/16" (8 mm) below the top of the Sliding Bar. (**C**)
3. Insert the Catch into the Catch Bar and position towards the center of the Sliding Bar corresponding to the middle of the Latch Hole Cover. (**D**) Tighten the screw slightly to hold in place.
4. Slide the screw end of one Flush Bolt into the upper Catch Bar, ensuring the Notch on the upper end of the Flush Bolt is inserted into the Groove on the Sliding Bar Top Cap. Make sure that the Flush Bolt is pushed in as far as it will go. (**E**)
5. Tighten the Screw on the Flush Bolt to hold it in place.
6. Perform the same procedure to install the other Flush Bolt on the lower Catch Bar. There is a corresponding Groove on the Sliding Bar Bottom Cap.



## Installing the Mounting Brackets and

# Screen Housings

### Securing the Mounting Brackets

The Mounting Brackets of each Vista Plus Screen are installed on the left and right inside surface of the door frame. The ideal minimum dimension of this surface is 1 5/8" (42 mm). This surface must be perfectly flat and at a right angle (90°) to the door.

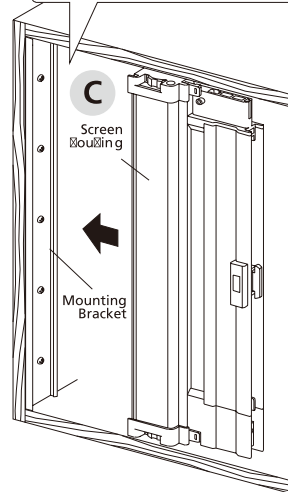
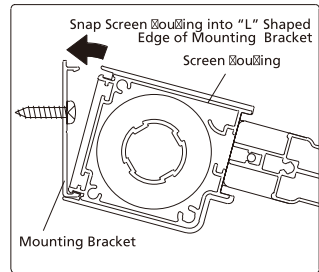
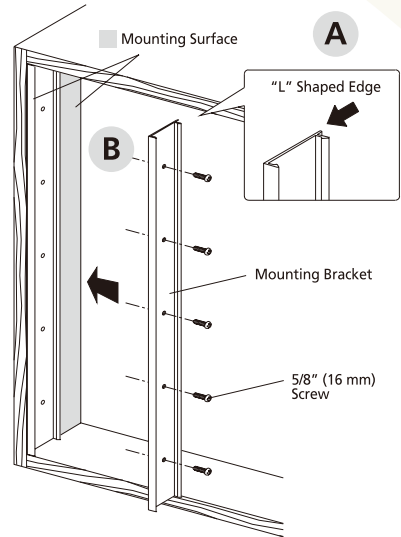
If the mounting surface is greater than 1 5/8" (42 mm), the Mounting Brackets can be positioned anywhere on this surface. Seiki recommends positioning the Mounting Brackets flush with the edge of the door frame (the furthest point away from the door.)

The diagrams illustrate the procedure for installing the Left Mounting Bracket and Screen Housing. The same procedures will be followed for the other side.

1. Locate the "L" shaped edge of the Mounting Bracket. **(A)** The Mounting Bracket will be positioned with this edge closest to the door.
2. Remove the adhesive strip on the back of the Mounting Bracket and position on the mounting surface. **(B)**
3. Using a level, adjust the Mounting Bracket to ensure that it is positioned plumb.
4. Attach the Mounting Bracket to the door frame using the 5/8" (16 mm) Pan Head Screws provided.

### Attaching the Screen Housings

1. Place the front left corner of the Screen Housing Assembly in the edge of the Mounting Bracket furthest away from the door. **(C)**
2. Pivot the Screen Housing along this point until the back of the Assembly snaps into the "L" shaped edge on the back of the Mounting Bracket.



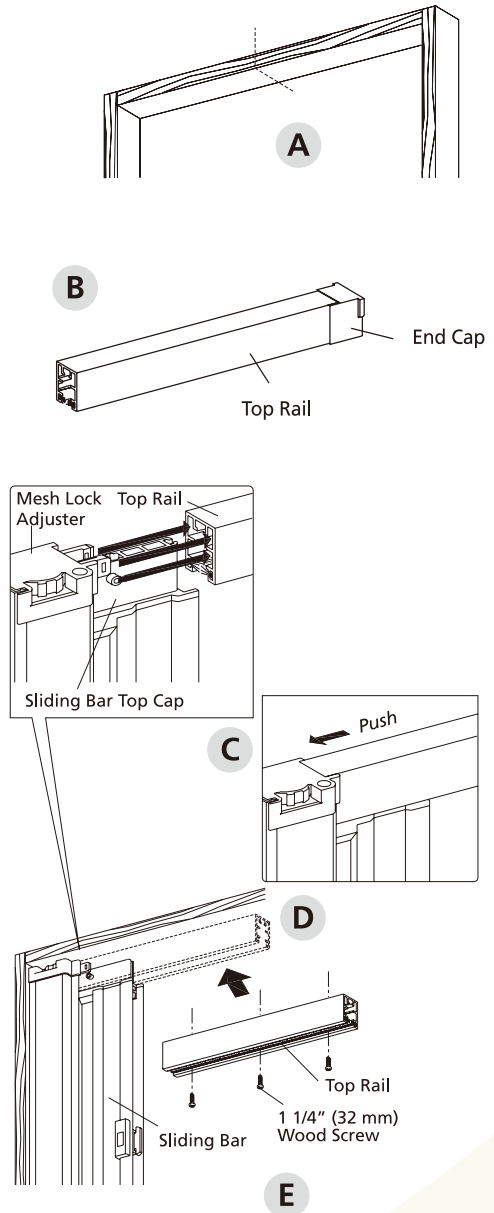
# Installing the *Top Rails*

## Now it's time to install the Top Rails of the Vista Plus Screen to the door frame.

The diagrams illustrate the procedure for installing the Left Top Rail. The same procedures will be followed for the Right Top Rail.

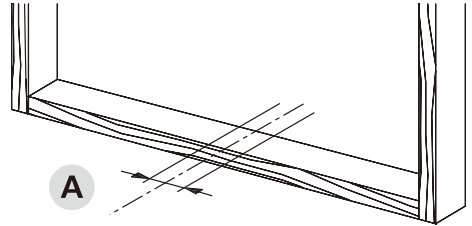
1. Before installing the Top Rails, measure and mark the door frame at the exact center of the door opening. **(A)** This will assist in the positioning of the Top Center Link in future installation procedures.
2. Remove the End Cap from the Left Top Rail. **(B)**
3. Remove the backing on the adhesive strip on the Top Rail.
4. Place the end of the Top Rail over the Sliding Bar Top Cap and slide the Top Rail into the Mesh Lock Adjuster. Ensure that it fits tightly. **(C)**
5. Align the Top Rail so that it is in a straight line and at a 90° angle to the mounting surface on which the Mounting Bracket was attached.
6. Once aligned, press the Top Rail firmly into place along the top of the door frame. **(D)**
7. Secure the Top Rail to the door frame with the 1 1/4" (32 mm) Wood Screws provided. **(E)**

Repeat the procedure for the Right Top Rail ensuring that it is aligned in a straight line with the Left Top Rail.

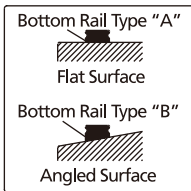


# Installing the *Bottom Rails*

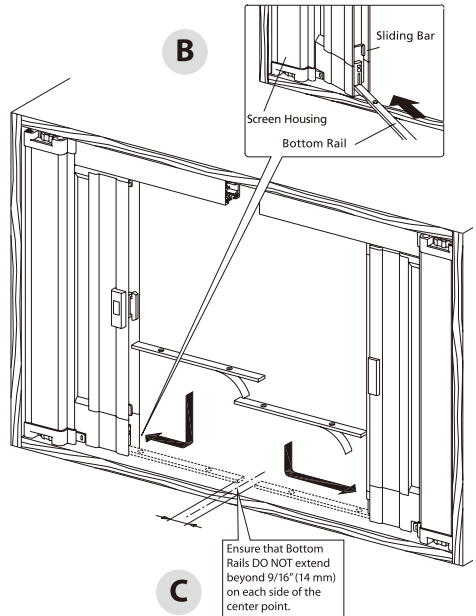
1. Before installing the Bottom Rails, first measure and mark the door sill at the exact center of the door opening and a point 9/16" (14 mm) from each side of the center point. **(A)**
2. If the Bottom Rails did not require cutting, it is important to select the correct Bottom Rail for installation. See page 8 for selecting the correct Bottom Rail.
3. Remove the backing on the adhesive strip on the Bottom Rail.
4. While slightly lifting the Sliding Bar, insert one end of the Bottom Rail into the groove at the bottom of the Sliding Bar Bottom Cap. **(B)**



**NOTE:** If using the Angled Bottom Rails, ensure that they are oriented so that the top of the Bottom Rail is flat and level when placed on the door sill.



5. Push the Bottom Rails into each Sliding Bar. Align the inner ends of each Bottom Rail with the marks made in Step 1 that are 9/16" (14 mm) from the center of the door opening. When both Bottom Rails are positioned correctly, there should be a 1 1/8" (28 mm) space between the two Bottom Rails. **(C)**
6. Ensure that the Bottom Rails are in a straight line and at a 90° angle to the mounting surface on which the Mounting Bracket was attached.



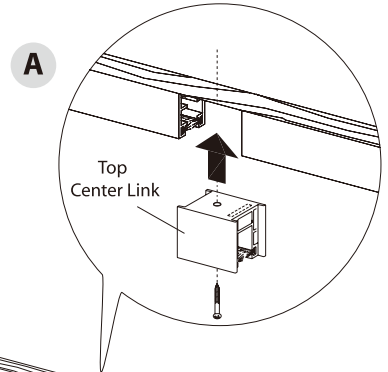
# Installing the Top and Bottom Center Links

## Installing the Top Center Link

1. Insert the Top Center Link in the space between the left and right Top Rails. Make sure the side of the Top Center Link marked "Stationary Door" is facing the stationary door, and the side marked "Operating Door" is facing the operating door.

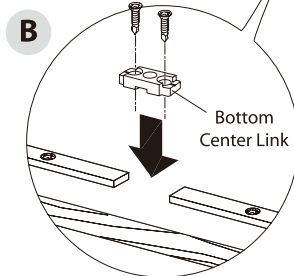
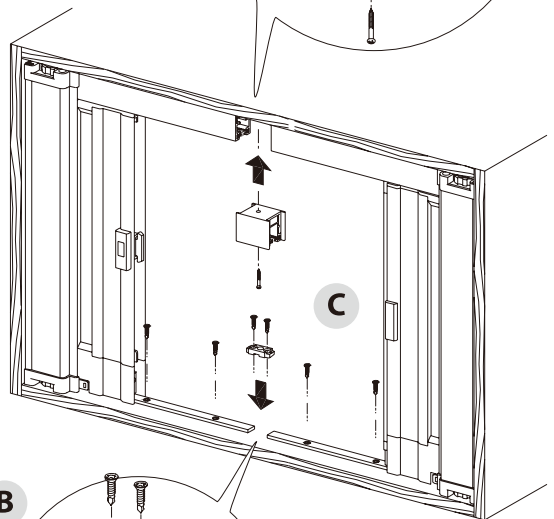
**(A)**

2. Make sure the Top Center Link is centered in the door opening, based on the mark made on Page 13 at the exact center of the door frame.
3. Using the 1 1/4" (32 mm) wood screw contained in the Double Door Link Kit, secure the Top Center Link to the door frame.



## Fastening Bottom Rails and Bottom Center Link

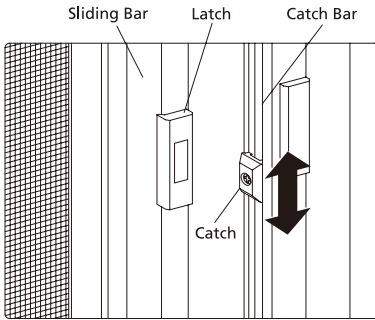
1. Insert the Bottom Center Link in the space between the left and right Bottom Rails. **(B)**
2. Using the 5/8" (16 mm) Self-Tapping Screws in the Double Door Link Kit, fasten the Bottom Center Link. **(B)**
3. Secure the Bottom Rails to the door sill with the 5/8" (16 mm) Self-Tapping Screws provided with the Vista Plus Screens. **(C)**



**NOTE:** Align the groove on the bottom rail to that of the Bottom Center Link to fasten them in a straight line.

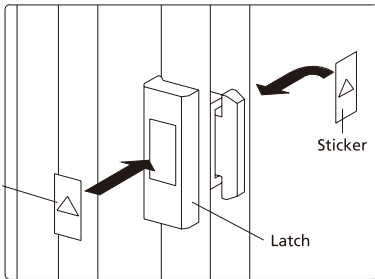


# Final Adjustments



## Adjusting the Catch

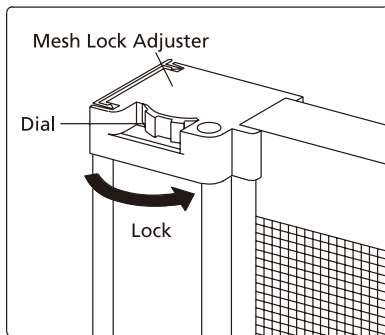
1. Loosen the screw on the Catch located on the Catch Bar of the stationary door.
2. Move the Catch up and down, until the position where the Latch makes a secure contact with the Catch is determined. Tighten the screw on the Catch to secure it in place. **(A)**
3. Adhere the Stickers to the front and rear of the Latch as indicated. **(B)**



## Adjusting the Mesh

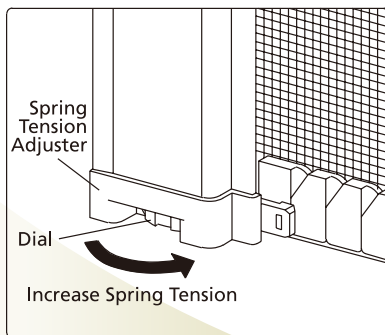
Vista Plus Screens can be adjusted to reduce the amount of mesh discharged from the Screen Housing. This keeps the mesh tight to maintain the Vista Plus Screen's effectiveness in keeping out unwanted insects.

1. Close both the left and the right Vista Plus Screen.
2. Turn the dial on the Mesh Lock Adjuster of both left and right Screen Housings as indicated in illustration **(C)** until meeting with resistance, but without over-tightening.



## Adjusting Spring Tension

1. If the Vista Plus Screens do not retract fully or quickly enough, turn the dial on the Spring Tension Adjuster on the left and right Screen Housing, as indicated in illustration **(D)**, to increase spring tension.
2. If the Vista Plus Screens retract too quickly, turn the dial on the Spring Tension Adjusters in the opposite direction to reduce spring tension.



*The Vista Plus Screen and  
Double Door Link Kit  
Installation is Now Complete!*



# Service and Maintenance *Hints*

**The Vista Plus Screen and Double Door Link Kit is designed and engineered to be maintenance free. The following are some helpful hints to ensure the smooth operation of the Vista Plus Screen for years to come.**

- All moving components used in the Vista Plus Screen are manufactured from a mixture of nylon and other materials. This combination of compounds is strong, impact resistant, and self-lubricating. Do not use oil, grease, or oil based sprays or lubricants on any of the components on the Vista Plus Screen. These products attract dirt and debris, and may cause the Vista Plus Screen to react abnormally. However, the periodic application of a dry silicon lubricant to the moving parts is permissible.
- We recommend that while not in use, the Vista Plus Screen be kept in the retracted position. This will help extend the life of the screen mesh. In the retracted position, the mesh is protected and kept clean.
- The Bottom Rail should be kept free of dirt and debris. Use a broom to remove any obstructions from the Bottom Rail.
- If the screen mesh becomes damaged or torn, a Replacement Mesh Cartridge can be purchased separately through your local dealer or retailer.

**\* Before installing the Vista Plus Screen and Double Door Link Kit, please take the time to read the installation instructions thoroughly.**

# Help *Hotline*

The Vista Plus Screen and Double Door Link Kit was designed for easy sizing and installation. This installation Manual provides a step by step guide through the entire process.

If there are any questions during the installation of the Vista Plus Screen and Double Door Link Kit, we recommend visiting the Seiki Website at **[www.seikiscreensystems.com/na](http://www.seikiscreensystems.com/na)**



**Seiki provides a number of online manuals on:**

- **Product Information**
- **Double Door Link Kit Installation**

*Still Have Questions?  
Call the Toll Free  
Seiki Do it Yourself Hotline:  
1-877-446-7180*



## *Vista Plus Screen and Double Door Link Kit Limited Lifetime/Non-transferable Manufacturers Warranty*

The Vista Plus Screen and Double Door Link Kit is warranted by Seiki Screen Systems to be free of manufacturers' defects in materials or workmanship, for as long as the original purchaser owns and or resides at that residence and that the product remains at its original point of installation. Seiki Screen Systems will repair or replace at its discretion any component, within the terms and conditions of this warranty, which is deemed as being defective from the manufacturing process upon proof of purchase. This warranty excludes the fiberglass screen mesh. Furthermore this warranty does not cover components damaged through improper use or installation, or if components have been altered from their original state in a manner not otherwise prescribed in this manual. This warranty is strictly limited to defective components only. This non-transferable, limited warranty excludes labor, breakage or damage due to normal wear and tear, lack of maintenance, or use for other than residential applications, accidents and "acts of god". Replacements or repairs made subject to this limited warranty are otherwise warranted for the balance of the original warranty period. Seiki Screen System's liability under this limited warranty is restricted to the corrective actions as set forth herein and contrarily repudiates all incidental and consequential damage. It is the responsibility of the consumer to notify Seiki Screen Systems of missing components, within 30 days of the purchase of the Vista Plus Screen and Double Door Link Kit.

The Vista Plus Screen and Double Door Link Kit is designed to assist in keeping unwanted insects from the home; it is in no way intended as a safety or security device to prevent access by individuals, animals or small children. Liability for any damages, including but not limited to general, special, indirect, incidental, consequential, aggravated, punitive or exemplary damages, and economic loss, as well as for breach of any expressed or implied warranties, including but not limited to implied warranties of merchantability, quality and fitness for any purpose other than as prescribed herein, is disavowed and omitted here from, to the extent that such a disclaimer and preclusions are permitted by the laws of any particular jurisdiction.

**Maintenance:** Keep Bottom Rail clean and free of debris. Periodic use of silicone spray onto the inside of the Top Rail, the Bottom Rail and the Retracting Mesh Guide is recommended; **do not use petroleum-based lubricants.**

Vista Plus Screen and Double Door Link Kit  
Manufactured by  
Seiki Screen Systems  
PRODUCT INFORMATION MANUAL  
For warranty claims  
Call 1-877-446-7180  
Or email: [info@seikiscreensystems.com](mailto:info@seikiscreensystems.com)

For maintenance and helpful hints, please refer to our web site,  
**[www.seikiscreensystems.com/na](http://www.seikiscreensystems.com/na)**