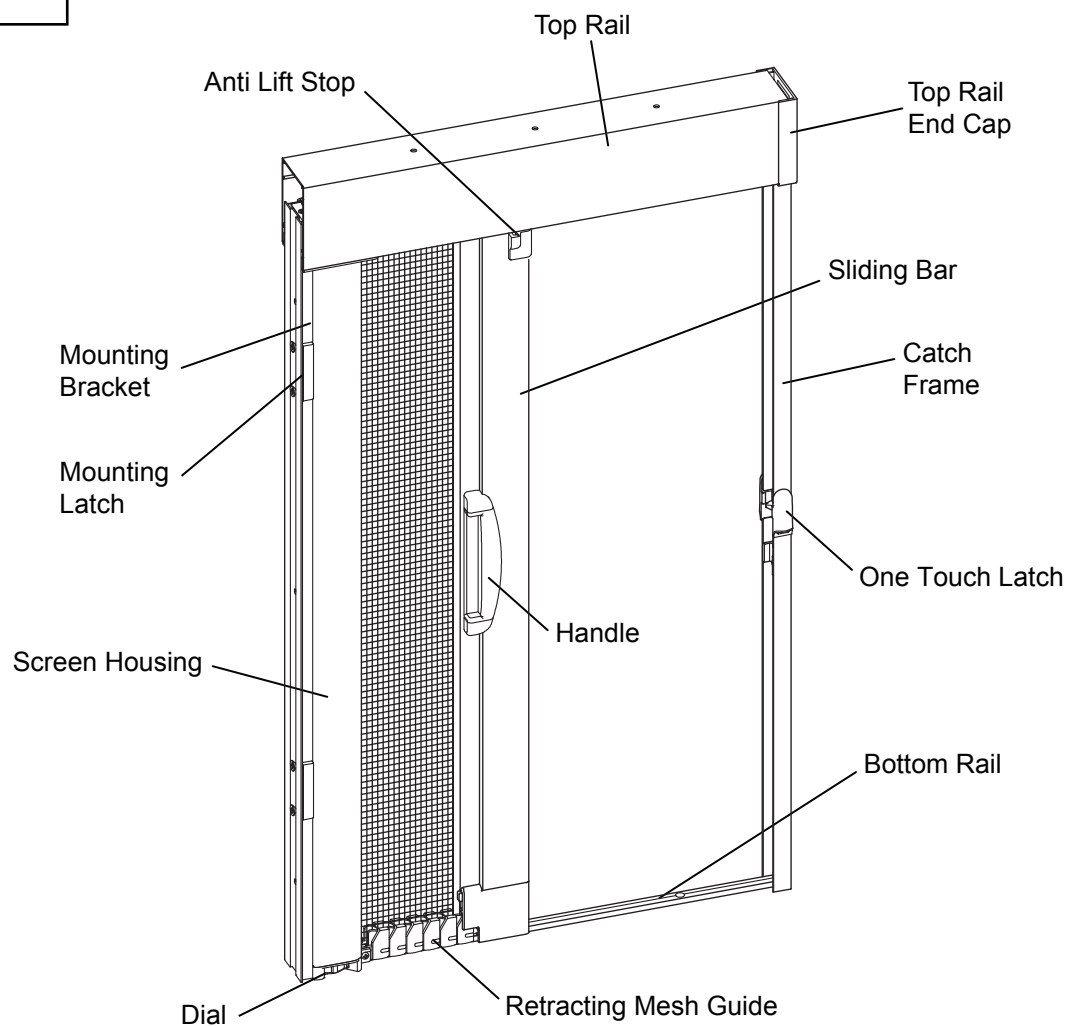


Installation Manual
Vista Plus Screen 2
 (Retractable Screens)



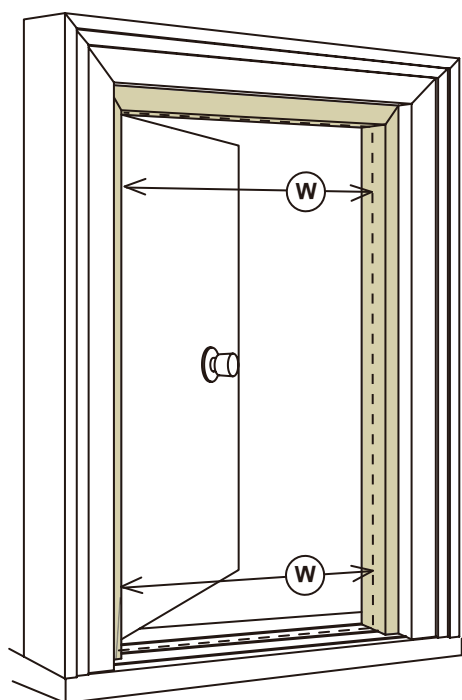
VP2-0412

Screen Components



Step #1 Measuring the width of the opening

- (1) Measure the dimension between the right and left sides of the door frame at both the top and bottom of the doorway. Record the smallest of the two in the box below.



Width (W)

Step #2 Determining the cutting length for horizontal components

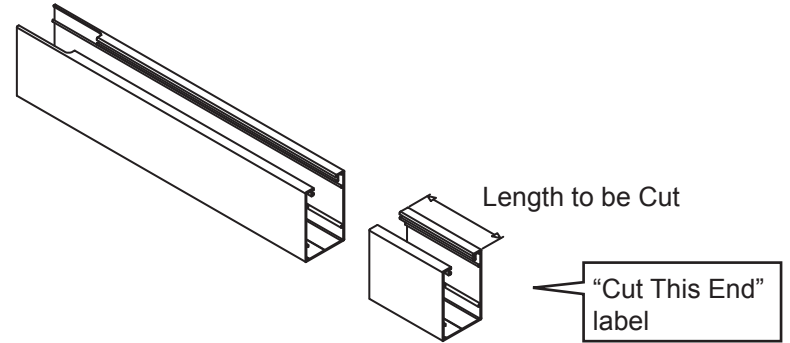
- (1) Determining the Length to be Cut from the Top Rail and the Bottom Rail, using the following formula.

	(Measured Width)		(Length to be cut off)	
36" (914mm)	-	[]	=	

Step #3 Cutting the horizontal components

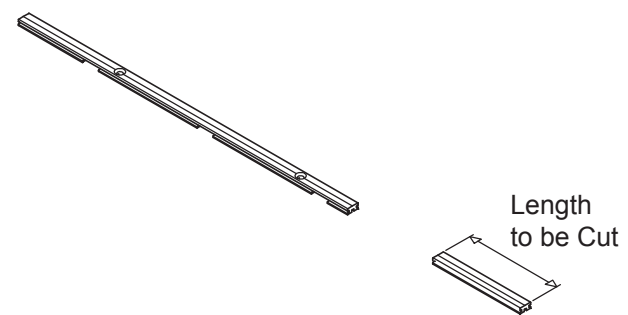
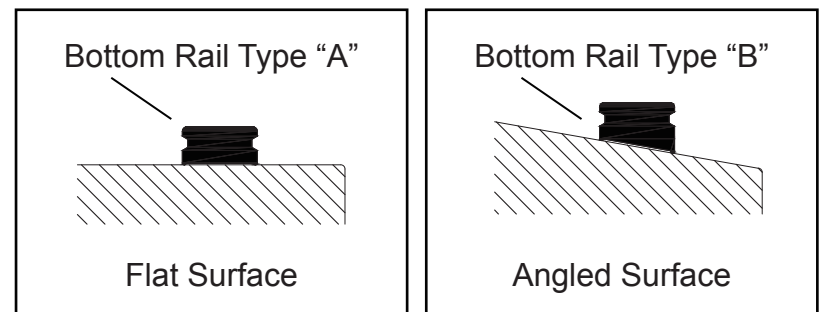
Cutting the Top Rail

- (1) Using the "Length to be Cut" dimension calculated in Step #2, measure from the end of the Top Rail with "Cut This End" label and mark.
- (2) Cut straight through the Top Rail.



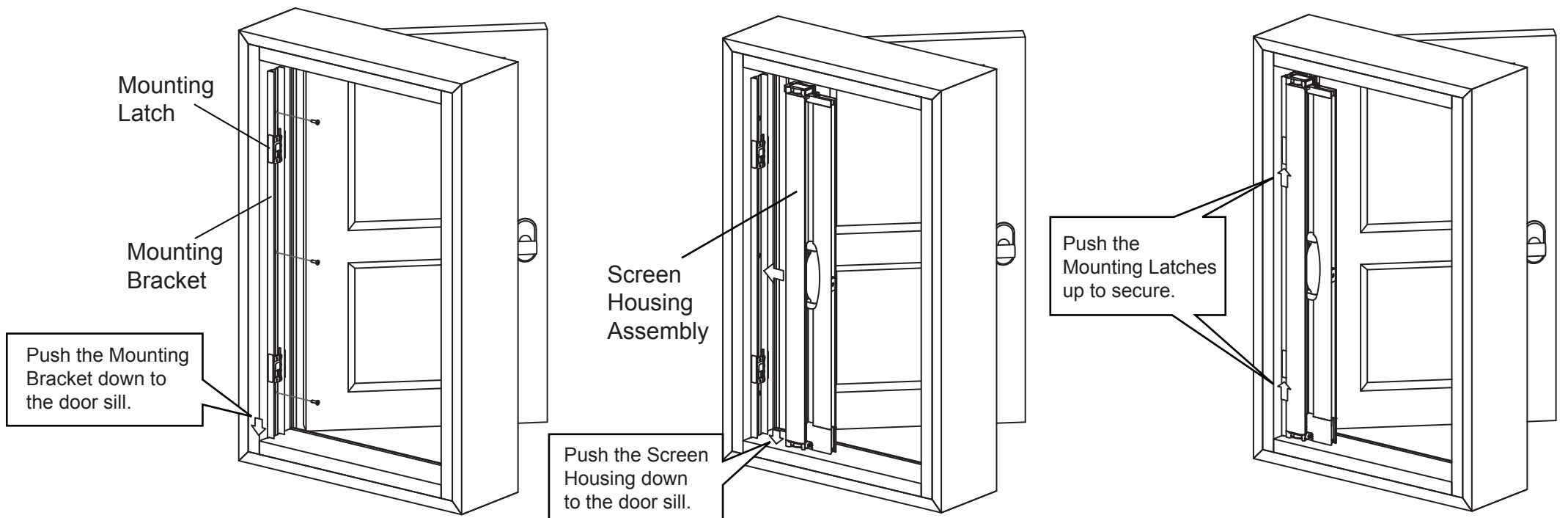
Cutting the Bottom Rail

- (1) Before cutting, choose the correct Bottom Rail for installation. The screen package comes with two Bottom Rails (Type "A" and "B") to accommodate both flat and angled door sills. Refer to the image on the right to determine the correct one.
- (2) Using the "Length to be Cut" dimension calculated in Step #2, measure and mark the Bottom Rail.
- (3) Cut straight through the Bottom Rail.



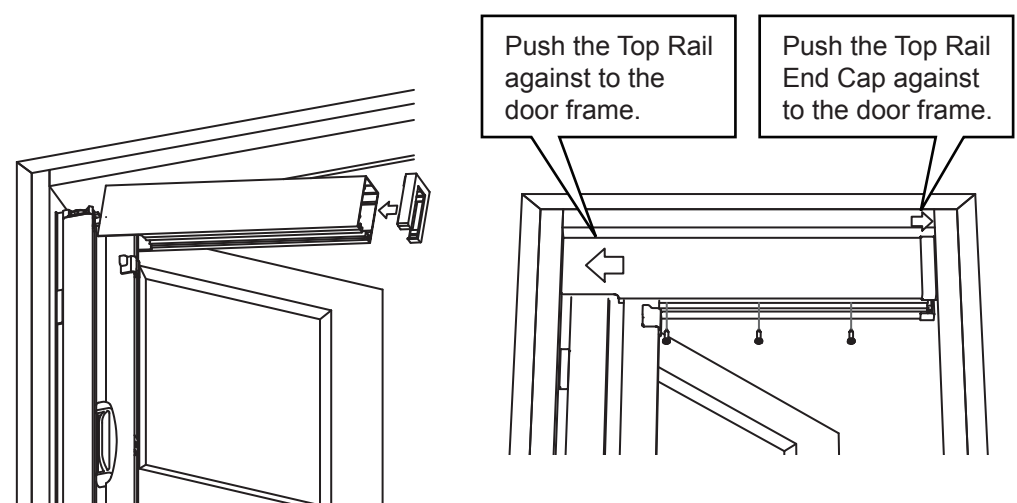
Step #4 Installing the Screen Housing Assembly

- (1) Secure the Mounting Bracket to the door frame using the screws provided.
- Note: It is important that the bottom of the Mounting Bracket fits tight to the door sill.
- (2) Fit the Screen Housing Assembly into the Mounting Bracket.
 - (3) Push the Mounting Latches up to secure the Screen Housing Assembly.



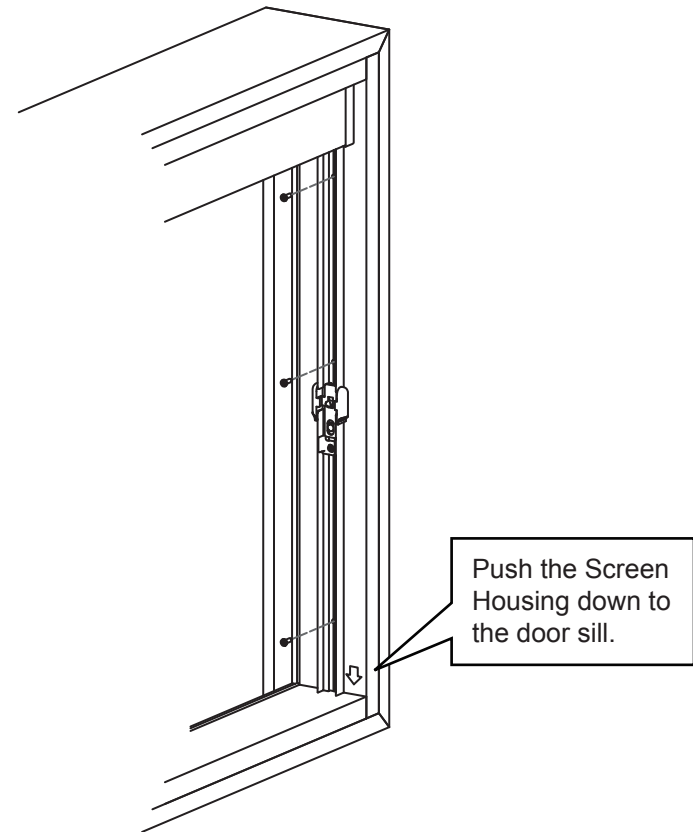
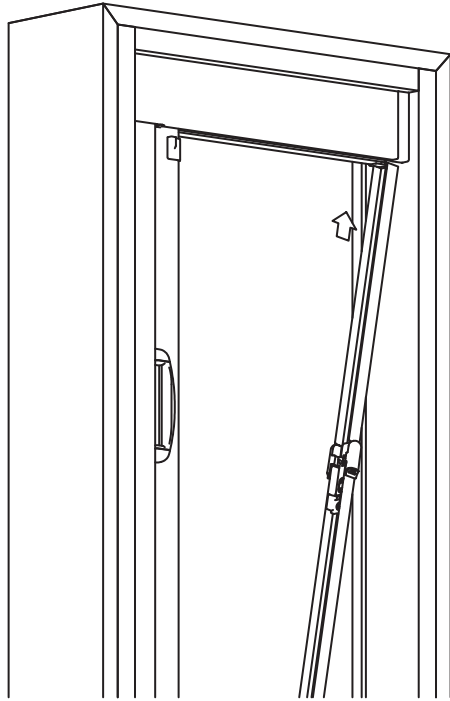
Step #5 Installing the Top Rail

- (1) Install the Top Rail End Cap onto the end of the Top Rail without slot.
- (2) Insert the Top Rail to the top of the Screen Housing as far as it will go.
- (3) Secure the Top Rail using the screws provided.
- (4) Slide the Top Rail End Cap so that any space can be seen between the Top Rail and the door frame.



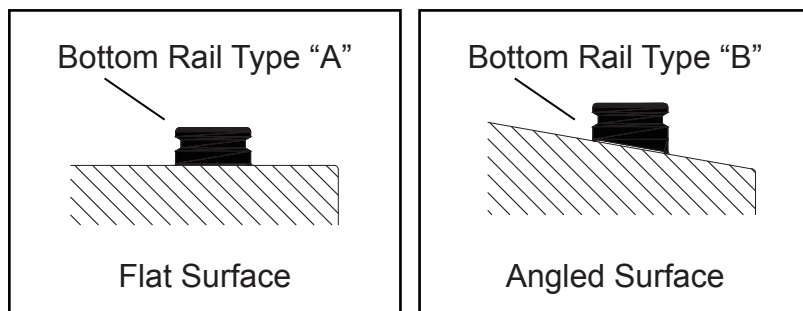
Step #6 Installing the Catch Frame

- (1) Insert the Catch Frame into the bottom of the Top Rail End Cap.
- (2) Ensure that the bottom of the Catch Frame fits tight to the door sill.
- (3) Secure the Catch Frame with the screws provided.

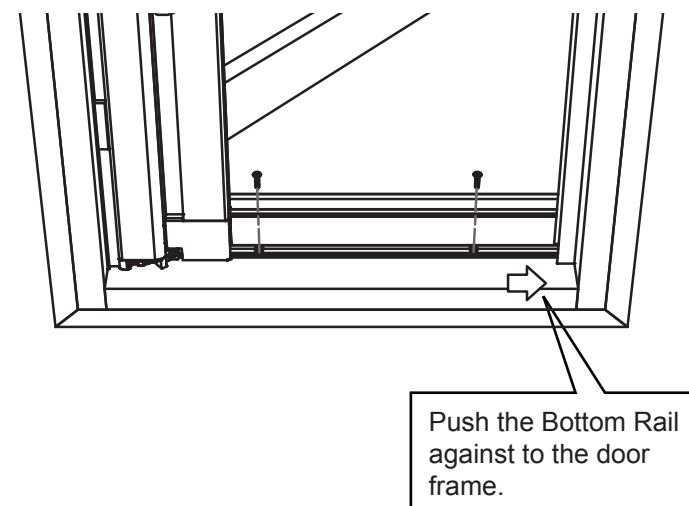
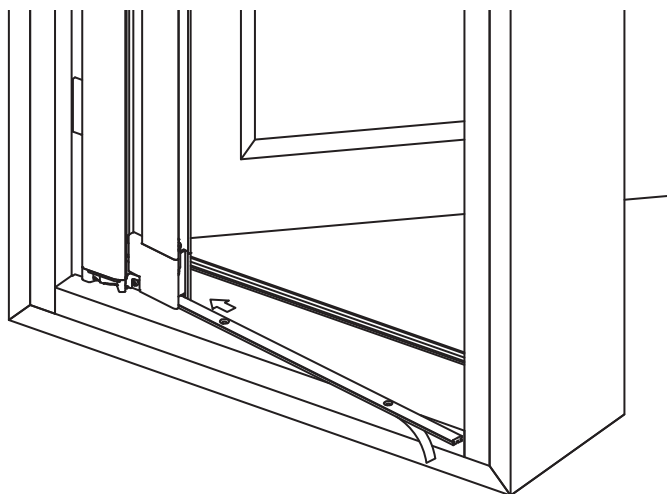


Step #7 Installing the Bottom Rail

Note; in the case the Bottom Rail does not require cutting, choose the correct Bottom Rail for installation from the Type "A" and "B". Refer to the image below to determine the correct one.



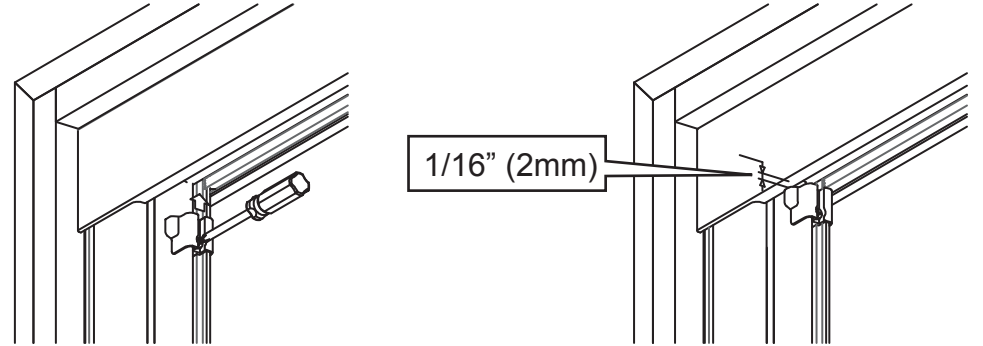
- (1) Remove the backing from the adhesive strip on the Bottom Rail.
- (2) While slightly lifting the Sliding Bar, insert the end of the appropriate Bottom Rail into the groove at the bottom of the Sliding Bar Bottom Cap.
- (3) Position the other end so that it fits tight to the Catch Frame, and press the Bottom Rail firmly onto the door sill.
- (4) Fasten the Bottom Rail with the screws provided.



Step #8 Final Steps

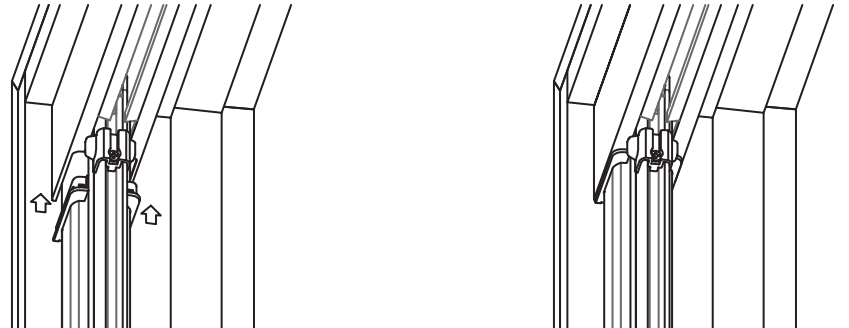
Adjusting the Anti Lift Stop

- (1) Loosen the set screw on the Anti Lift Stop on the Sliding Bar.
- (2) Slide the Anti Lift Stop upward until it is positioned approximately 1/16" (2mm) from the underside of the Top Rail.
- (3) Tighten the set screw to secure in place.



Installing the Top Rail Hole Caps

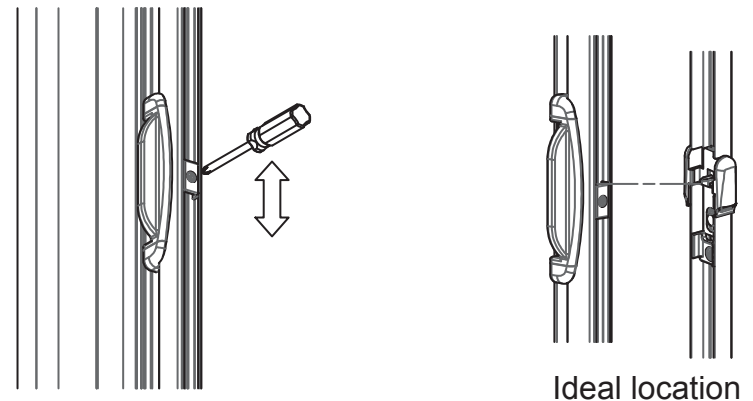
- (1) Snap the Top Rail Hole Caps into the slot on the underside of the Top Rail from the front and the back side of the Screen Housing.



Adjusting the Catch

Note; only in the case the Latch doesn't make a secure contact with the Catch, adjust the location of the Catch in the following procedures.

- (1) Loosen the screw on the Catch.
- (2) Move the Catch up and down until the Latch makes a secure contact with the Catch. (Refer to the "Ideal location" on the right.)
- (3) Tighten the screw to secure in place.



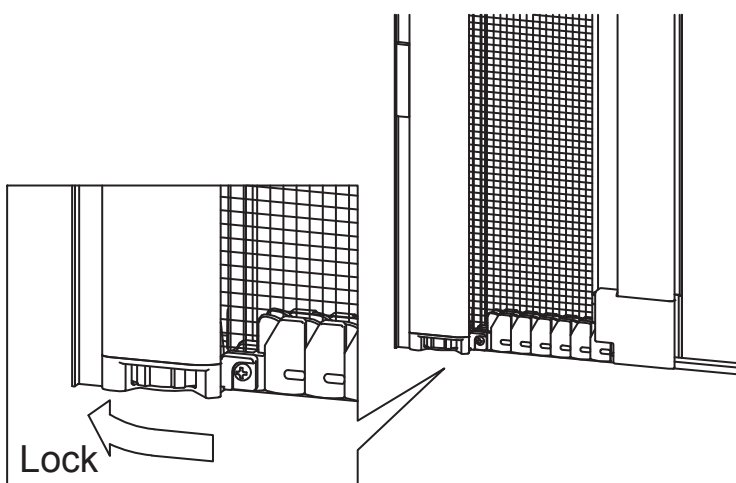
Adjusting the Mesh

The screen can be adjusted to reduce the amount of mesh discharged from the Screen Housing. This keeps the mesh tight, providing protection against insects.

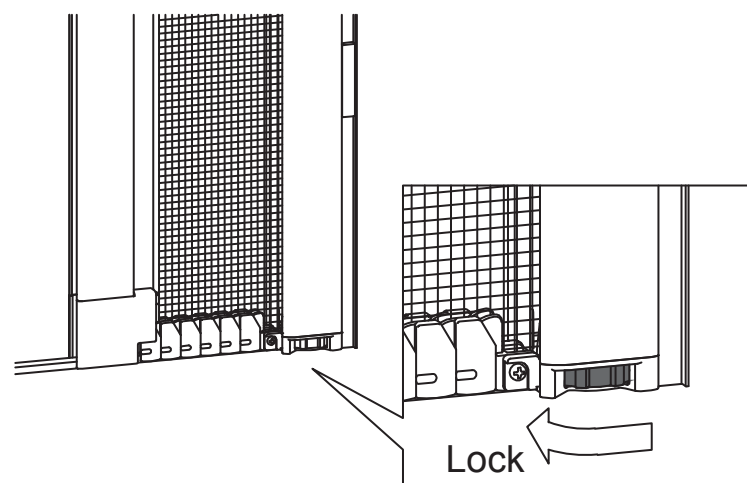
- (1) Close the screen.
- (2) Turn the dial on the Bottom of the Screen Housing in the direction illustrated below until you meet resistance, but do not over-tighten.

Note; the direction to turn depends on the side which you see from. Refer to the images below.

When you see the Screen Housing on the left side.

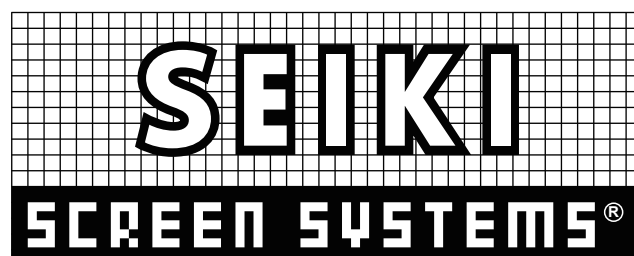


When you see the Screen Housing on the right side.



Congratulations! You have now completed the installation!

Designed & Manufactured by Seiki Screen Systems®



Seiki Screen Systems
www.seikiscreensystems.com