

Installation Manual for
Vista SCREEN
and Double Door Link Kit **RETRACTABLE**™

For Double Doors (French Doors)

Durable. Reliable. Attractive.

*For door openings up to 72 ¹³/₁₆" (1,849 mm) wide
and 81 ³/₁₆" (2,062 mm) high*

Quick and
Easy to Size
and **Install**



Congratulations and thank you for purchasing a Seiki product!

The Vista Screen and the Double Door Link Kit are designed and manufactured by Seiki Screen Systems, one of Japan's largest and most respected manufacturers. Thanks to rigorous design and product testing, the Vista Screen will provide years of dependable operation. Plus, it comes with a factory-supplied limited lifetime warranty on all parts against manufacturing defects.

The Vista Screen and Double Door Link Kit was designed for easy sizing and installation. This Installation Manual provides a step by step guide through the entire process.

We also recommend visiting the [Seiki Website](http://www.seikiscreensystems.com/na) at www.seikiscreensystems.com/na for more information.



*Any questions? Contact
our Help Line, Toll Free
at 1-877-446-7180.*



Index

<i>Getting to Know the Vista Screen and Double Door Link Kit</i>	<i>4</i>
<i>Parts and Tool List</i>	<i>5</i>
<i>Choosing the Correct Bottom Rail</i>	<i>6</i>
<i>Measuring the Door Opening</i>	<i>7</i>
<i>Sizing the Vista Screen</i>	<i>8</i>
<i>Cutting the Top and Bottom Rails</i>	<i>9</i>
<i>Cutting the Screen Housings</i>	<i>10</i>
<i>Installing the Double Door Link Kit Components</i>	<i>11</i>
<i>Joining and Installing the Top Rails</i>	<i>12</i>
<i>Installing the Screen Housings</i>	<i>13</i>
<i>Installing the Bottom Center Link</i>	<i>14</i>
<i>Installing the Bottom Rails</i>	<i>15</i>
<i>Adjusting the Flush Bolts</i>	<i>16</i>
<i>Final Steps</i>	<i>17</i>

The Vista Screen and Double Door Link Kit are not intended for installation on a Sliding Patio Door.

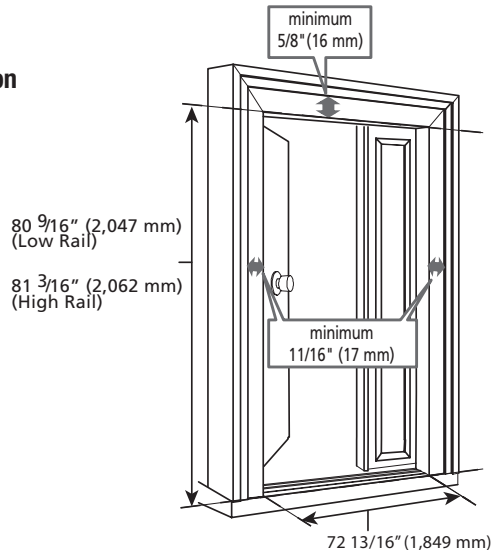
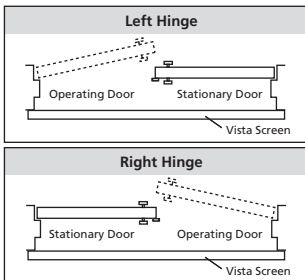
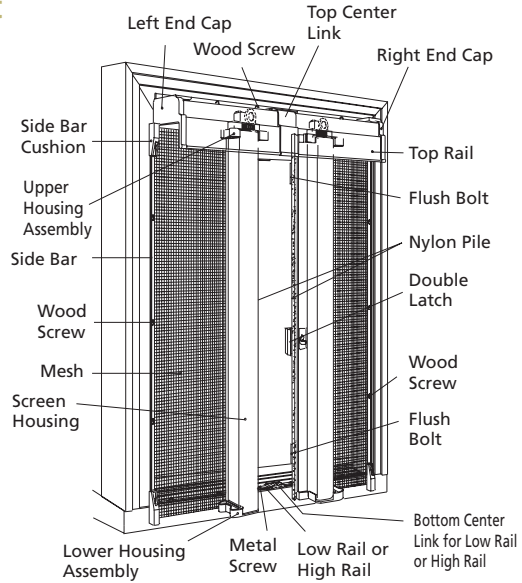
Getting to Know the *Vista Screen* and Double Door Link Kit

Before beginning the installation process, become familiar with the Vista Screen, the Double Door Link Kit and the door on which it will be installed.

Make sure the right models have been purchased! For installation on a double door (French Door) one Vista Screen for “LEFT” hinged doors, one Vista Screen for “RIGHT” hinged doors, and the **Double Door Link Kit** are required.

Next, make sure the Vista Screens and Double Door Link Kit will fit the door. This application will accommodate a door opening of up to **72 13/16” (1,849 mm) wide** and **80 9/16” (2,047mm) high** with the **Low Rail**, and **81 3/16” (2,062 mm) high** with the **High Rail**. If the door opening is larger than this, the Vista Screen will not accommodate the door.

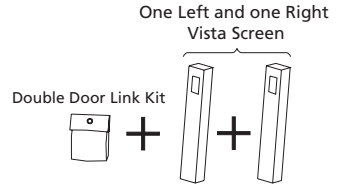
Finally, a minimum mounting surface of **5/8” (16 mm) on the top** and **11/16” (17 mm) on both sides** is required. This mounting surface must be flat and flush.



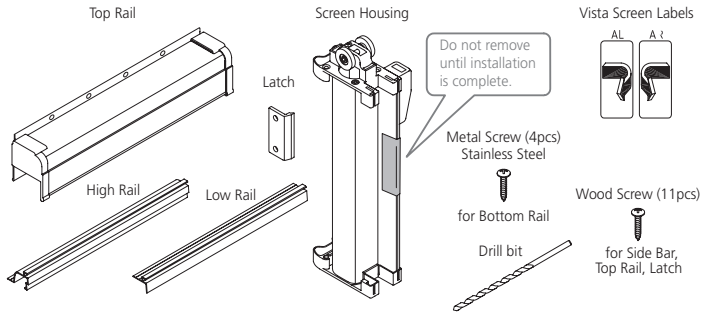
Parts and Tool list

Before beginning, make sure that all these parts are included in the Vista Screen packages.

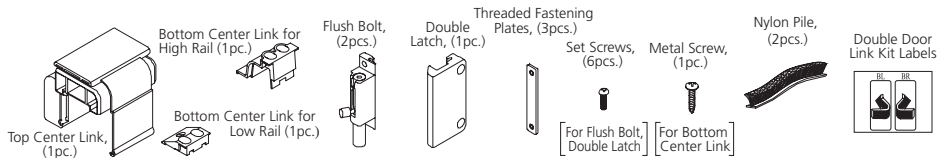
For a double door application, one left and one right Vista Screen, plus the Double Door Link Kit are required.



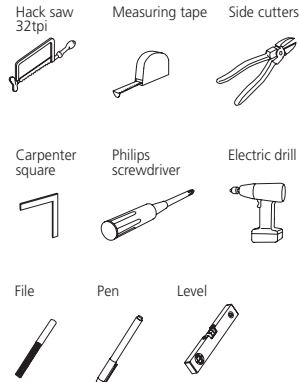
Vista Screen Parts x 2



Double Door Link Kit Parts



Required Tools



Vista Screens can be sized and installed using common household tools. Make sure all necessary tools are available before beginning.

***NOTE:** A chop saw can be used in place of a hacksaw provided that a bi-metal blade has been properly installed.

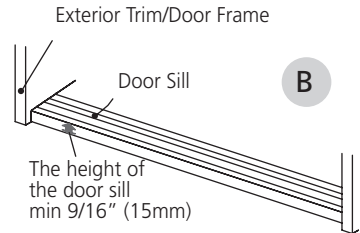
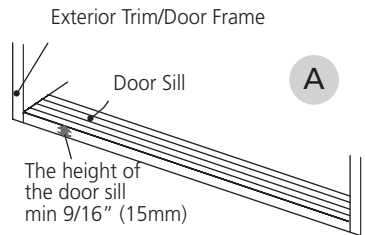
Choosing the Correct *Bottom Rail*

Each Vista Screen package comes with a High and Low Bottom Rail to accommodate different configurations of door sill and exterior trim or door frame. Choosing the correct Bottom Rail is very important, since this will determine the final cut size of the Vista Screens.

Low Rail

Use the Low Rail in the following circumstances:

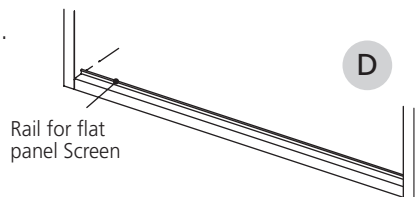
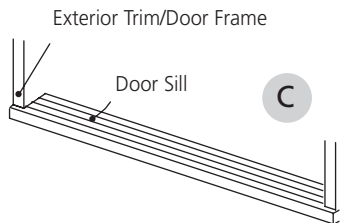
1. The front edge of the door sill is flush **(A)** with the exterior trim or door frame and there is a minimum of 9/16" (15 mm) clearance from the top of the sill and the deck below.
2. There is a minimum of 9/16" (15 mm) clearance, but the front edge of the door sill is recessed **(B)**. Use a shim or an aftermarket sill extension to extend the sill so it is flush with the exterior trim or door frame.



High Rail

Use the High Rail in the following circumstances:

1. The door sill is flush with the exterior trim or door frame **(A)**, but there is less than 9/16" (15 mm) clearance to the deck below.
2. The door sill extends beyond the exterior trim or door frame. **(C)**
3. The door sill has an existing track for a sliding screen. **(D)**



Measuring the Door *Opening*

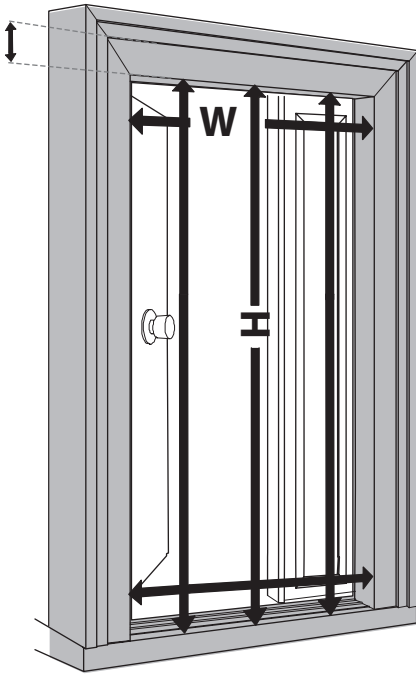
Now it's time to measure the opening to see if the Vista Screens must be cut to fit.

For the width, measure the dimension between the interior portion of the right and left exterior trim/door frame at both the top and bottom of the doorway as indicated in the diagram. Record the smallest of the two sizes in the box labeled "Width" below.

For the height, measure the inside dimension between the top exterior trim/door frame and the door sill at the lowest point in its slope. Measure in all three locations and record the smallest dimension in the box labeled "Height" below.

Finally, measure the height of the lowest flat portion of the **exterior trim or door frame** at the top of the door and record in the box labeled "Top Trim/Door Frame" below.

Top Trim/Door Frame
Mounting Surface



Width	Height	Top Trim/Door Frame

Sizing the *Vista Screen*

Two Vista Screens are designed to accommodate door openings up to 72 13/16" (1,849 mm) wide and 80 9/16" (2,047 mm) high when using the Low Rail or 81 3/16" (2,062 mm) high when using the High Rail. If the door opening is smaller than this, the Vista Screens must be cut.

Determining Cut Size for Each Top and Bottom Rail

To determine the cut size of the Top and Bottom Rails, simply use the following formula:

(Measured Width)	[Length to be cut off]
$(72 \frac{13}{16}" (1,849 \text{ mm}) - [\quad]) \div 2 =$	<input type="text"/>

Determining Cut Size for Each Screen Housing

Important: The cut size of the Screen Housings is different when using the High Rail versus the Low Rail.

Low Rail installations, use this formula:

(Measured Height)	[Length to be cut off]
$80 \frac{9}{16}" (2,047 \text{ mm}) - [\quad] =$	<input type="text"/>

High Rail installations, use this formula:

(Measured Height)	[Length to be cut off]
$81 \frac{3}{16}" (2,062 \text{ mm}) - [\quad] =$	<input type="text"/>

NOTE: If the "Length to be cut" is less than 3/8" (9 mm) for either High or Low Rail installations, the Screen Housings may not need to be cut.

If the dimension of the "Top Trim/Door Frame" recorded on Page 7 is a minimum of 1" (25 mm), simply adjust the mounting height of the Top Rail upward. If the exterior trim or door frame is less than this, the Screen Housings must be cut.

Determining Mounting Height of Top Rail

In all instances when the Screen Housings are cut, the Top Rail is mounted 5/8" (16 mm) above bottom edge of the exterior trim or door frame.

If the Screen Housing "Length to be cut" is 3/8" (9 mm) or less, and there is a minimum of 1" (25 mm) of Top Trim, use the following formula to determine the **Mounting Height of the Top Rail**.

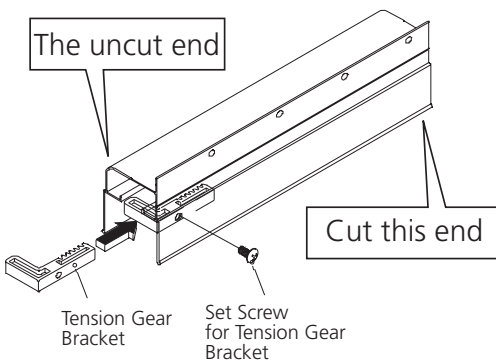
(Length to be cut)	[Mounting Height]
$5/8" (16 \text{ mm}) + [\quad] =$	<input type="text"/>

Refer to page 12 for Mounting Surface illustration.

Cutting the Top and Bottom Rails

Cutting the Top Rails of the Vista Screen is an easy process.

NOTE: Each Top Rail will be **cut on the end opposite the Tension Gear Bracket**. If the Tension Gear Bracket has been pre-installed, the Top Rails will be clearly labeled with **CUT** and **NO CUT** zones. If the Tension Gear Brackets have not been pre-installed, cut one Top Rail from the left side, and one from the right side.

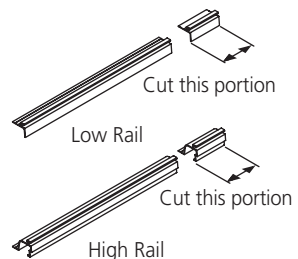


1. If pre-installed, remove the End Caps from both sides of each Top Rail.
2. Using the "Length to be cut" dimension calculated on Page 8, carefully measure and mark the rails on all sides to ensure an even cut.
3. Wearing safety glasses, cut straight through the Top Rails using either a chop saw or a hacksaw with a bi-metal blade.
4. If not already pre-installed, install the Tension Gear Brackets on the ends of the Top Rails opposite the cut ends.

Cutting the Bottom Rails

Cutting the Bottom Rails is just as easy. Each Bottom Rail may be clearly labeled with CUT and NO CUT zones. If not, either end can be cut. Using the same "Length to be cut" dimension used for the Top Rails, measure, mark, and cut straight through.

NOTE: After cutting any part of the Vista Screen, use a file to remove any burrs from the surfaces.



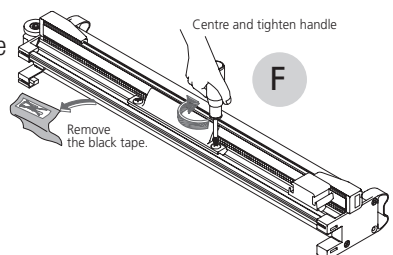
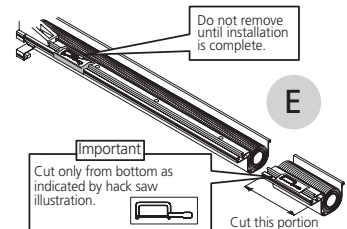
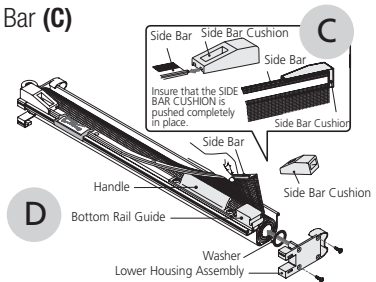
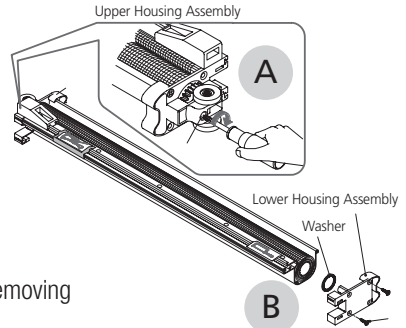
Cutting the *Screen Housings*

It is easy to cut right through the Screen Housing and mesh of the Vista Screen using a chop saw or hacksaw.

The diagrams illustrate the procedure for cutting the Left Screen Housing Assembly. The same procedures will be followed for the Right Screen Housing Assembly. Both Left and Right Screen Housings must be cut to the same length.

NOTE: All cutting will be done on the lower end of each Screen Housing, away from the Upper Housing Assembly and spring mechanism. Each Vista Screen is clearly labeled with **CUT** and **NO CUT** zones.

1. Begin by tightening the screw at the top of the Upper Housing Assembly **(A)**.
2. Remove the Lower Housing Assembly and washer by removing the two screws with a Philips screwdriver **(B)**.
3. If pre-installed, slide the Side Bar Cushion off of the Side Bar **(C)** and the Bottom Rail Guide off the Screen Housing **(D)**.
4. Carefully measure and mark the Screen Housing on all sides based on the "Length to be cut" dimension calculated on Page 8.
5. Wearing safety glasses, cut straight through the Screen Housing and the fiberglass mesh **(E)**.
6. Place the Side Bar Cushion onto the Side Bar **(C)**. Make sure that it is pushed in as far as it will go.
7. If the Handle was not already pre-installed, slide the Handle onto the Screen Housing. Then, slide the Bottom Rail Guide back onto the Screen Housing **(D)**.
8. Reattach the Lower Housing Assembly and washer using the two screws **(B)**.
9. Loosen the screw at the top of the Upper Housing Assembly until the head of the screw is slightly above the top **(A)**.
10. Finally, remove the black tape, slide the Handle to the centre of the Screen Housing and tighten the screws **(F)**.



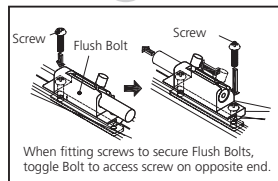
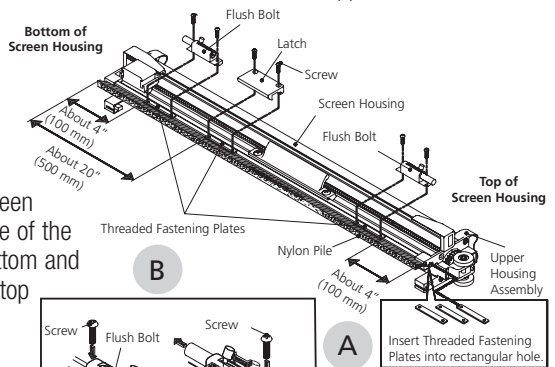
Installing the **Double Door Link Kit** Components

Now it's time to install the components of the Double Door Link Kit onto the Screen Housing Assembly.

NOTE: The Double Door Link Kit components should be installed on the Screen Housing that will be mounted on the side of the door where the Stationary Door is located. (See Page 4 for diagram.)

The diagrams illustrate the procedure for installing the Double Door Link Kit components on the Right Screen Housing for door openings with the stationary door on the right when viewed from the outside of the house. If the stationary door is on the left, then the components should be installed on the Left Screen Housing. The same procedures will be followed for either application.

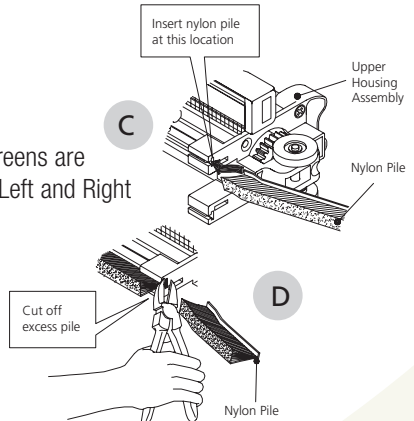
1. Insert the three (3) Threaded Fastening Plates into the small rectangular hole on the Upper Housing Assembly. **(A)**
2. Position the Plates approximately 4" (100 mm) from the bottom of the Screen Housing Assembly, towards the middle of the Assembly 20" (500 mm) from the bottom and approximately 4" (100 mm) from the top of the Assembly. **(B)**
3. Fasten the Flush Bolts and Latch to Threaded Fastening Plates with the screws included with the Double Door Link Kit. **(NOTE:** Do not completely tighten the screws on the Flush Bolts. They will require final adjustment. See Page 16.)



Inserting the Nylon Pile

In order to ensure that there is no gap when the Vista Screens are closed, a strip of Nylon Pile will be inserted into both the Left and Right Screen Housing Assemblies.

1. Starting with the Right Screen Housing, locate the opening on the Upper Housing Assembly. **(C)**
2. Insert the end of one strip of Nylon Pile into the opening and pull down to the bottom of the Screen Housing Assembly as far as it will go.
3. Now, pull the Nylon Pile up 1/4" (6 mm) and use side cutters to cut the excess Nylon Pile flush with the Upper Housing Assembly. **(D)** Once cut, pull the Nylon Pile back down as far as it will go.
4. Repeat this procedure for the Left Screen Housing.

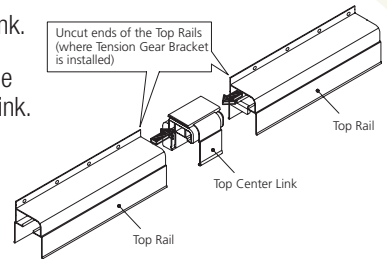


Joining and Installing the *Top Rails*

Joining the Top Rails

Now it's time to join the two Top Rails using the Top Center Link.

1. Insert the uncut ends of the Top Rails (the ends where the Tension Gear Brackets are located) into the Top Center Link.



Installing the Top Rail

Now it's time to determine the height at which the Top Rail should be mounted.

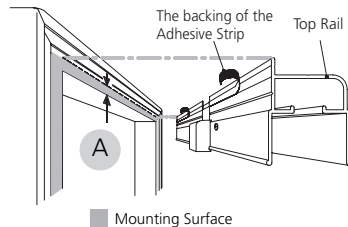
If the Screen Housings Were Cut:

If the Vista Screen Housings were cut to fit the door, the top of the Top Rail will be mounted exactly 5/8" (16 mm) (**A**) from the bottom edge of the exterior trim or door frame.

1. Draw a line 5/8" (16 mm) from the bottom edge of the exterior trim or door frame as a guide.
2. Remove the backing on the adhesive strip and position the Top Rail along the guide line.

NOTE: The Top Rail must be positioned so that it is perfectly centered in the door opening.

3. Secure the Top Rail using the Wood Screws provided.



NOTE: If the pre-drilled holes near the outside ends of the Top Rails were eliminated during the cutting procedure, it may be necessary to drill new holes.

If the Screen Housings Were Not Cut:

1. Using the measurement calculated for Mounting Height on Page 8 (**A**), measure up from the bottom of the exterior trim or door frame, and draw a line as a guide.
2. Remove the backing on the adhesive strip and position the Top Rail along the guide line.
3. Secure the Top Rail using the Wood Screws provided.

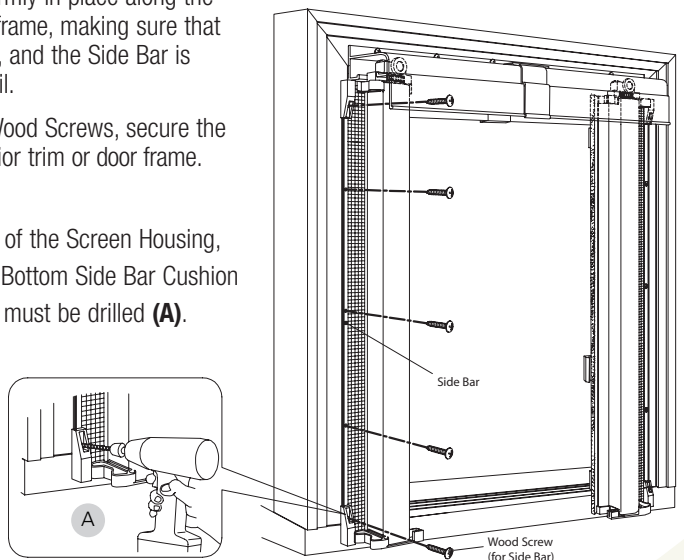
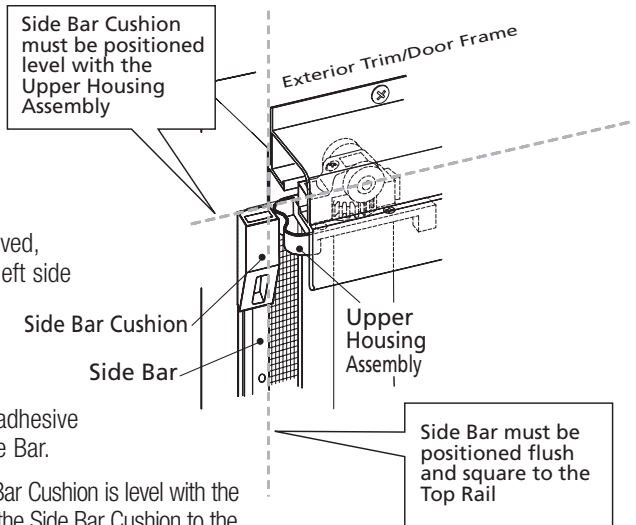
Installing the *Screen Housings*

Both the Left and the Right Screen Housings will now be installed on the exterior trim or door frame.

NOTE: The following procedures describe the installation of the Left Screen Housing. The same procedures apply for the Right Screen Housing.

1. If it has not already been removed, remove the End Cap from the left side of the Top Rail.
2. Insert the rollers of the Screen Housing into the Top Rail.
3. Next, peel the backing off the adhesive strip along the back of the Side Bar.
4. Making sure the top of the Side Bar Cushion is level with the Upper Housing Assembly, fasten the Side Bar Cushion to the exterior trim or door frame using a Wood Screw.
5. Press the Side Bar firmly in place along the exterior trim or door frame, making sure that the mesh is kept flat, and the Side Bar is square to the Top Rail.
6. Using the provided Wood Screws, secure the Side Bar to the exterior trim or door frame.

NOTE: If during the sizing of the Screen Housing, the predrilled hole for the Bottom Side Bar Cushion was removed, a new hole must be drilled **(A)**.

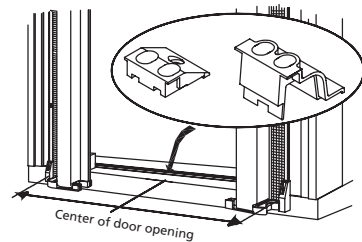


Installing the *Bottom Center Link*

Installing the Bottom Center Link

Before installing the Bottom Rails onto the door sill, the Bottom Center Link must be installed. The Double Door Link Kit comes with two different Bottom Center Links to accommodate installations using either the High or Low Rail. See page 6 to determine which Bottom Center Link to use.

1. Determine the exact center of the door opening and mark this position on the door sill.
2. Position the screw hole of the Bottom Center Link over this mark, ensuring that the leading edge of the Bottom Center Link is flush with the exterior trim/door frame.

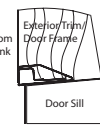


Positioning the Bottom Center Link

A. Door Sill flush with Exterior Trim



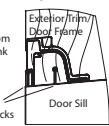
B. Door Sill recessed from Exterior Trim



C. Door Sill extends beyond Exterior Trim

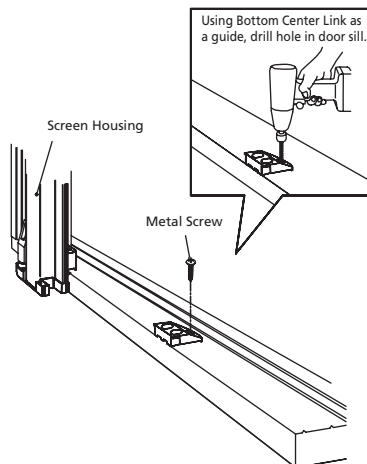


D. Door Sill with Existing Screen Tracks



Position front edge of High and Low Bottom Center Link flush with Exterior Trim or Door Frame

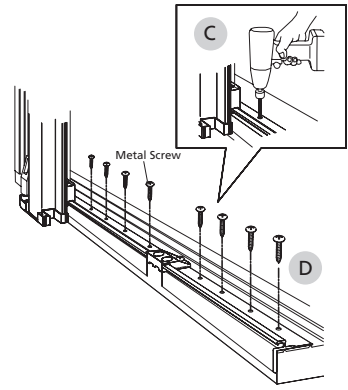
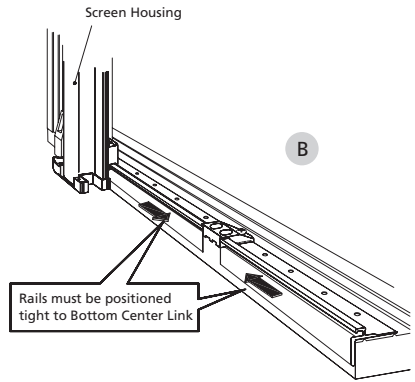
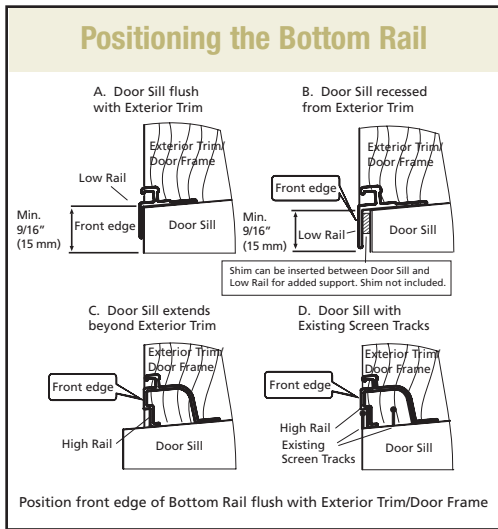
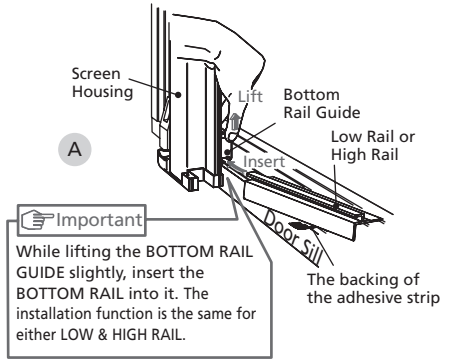
3. With the Bottom Center Link positioned correctly, drill a hole into the door sill using the hole in the Bottom Center Link as a guide. Then, fasten the Bottom Center Link to the door sill using the Metal Screw provided in the Double Door Link Kit.



Installing the *Bottom Rails*

Both the Left and Right Bottom Rails will be installed on the door sill. The following procedures describe the installation of the Left Bottom Rail. The same procedures apply for the Right Bottom Rail.

1. Remove the adhesive backing from the Bottom Rail.
2. While slightly lifting the Bottom Rail Guide on the Screen Housing, insert the Bottom Rail. **(A)**
3. Press the Bottom Rail firmly in place, ensuring the front of the rail is flush with the exterior trim/door frame. This requirement is the same whether using the Low or High Rail. Rail must be placed tight to the Bottom Center Link. **(B)**



4. Using the Drill Bit provided, drill holes into the door sill using the predrilled holes in the Bottom Rail as a guide. **(C)**
5. Fasten the Bottom Rail to the door sill using the Metal Screws provided. **(D)**

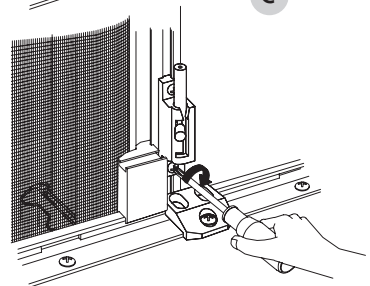
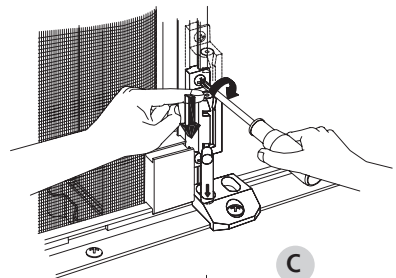
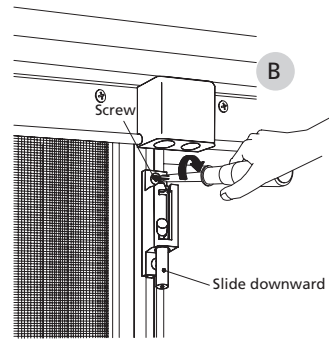
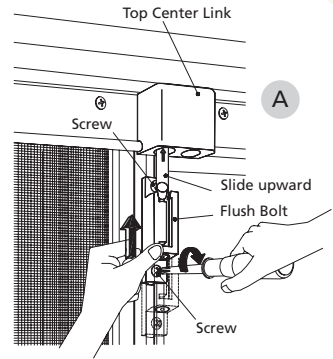
Repeat the above steps to install the Right Bottom Rail.

Adjusting the *Flush Bolts*

Now it's time to adjust the positioning of the Flush Bolts to allow the Vista Screen in front of the stationary door to be locked in the closed position.

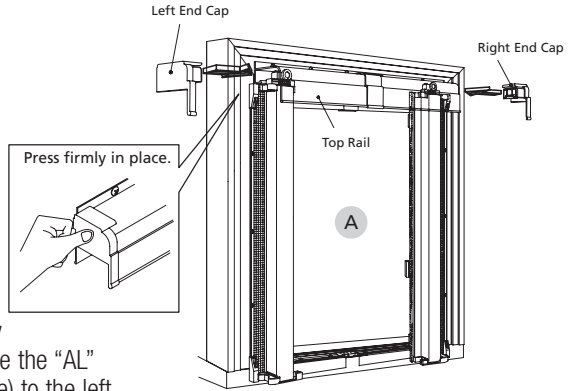
1. From the inside of the house, slide the Vista Screen Housing with the Flush Bolts to the closed position.
2. Loosen the screws on the upper Flush Bolt so it slides freely on the Screen Housing.
3. Toggle and lock the Bolt in the Flush Bolt in the engaged position.
4. Slide the Flush Bolt upwards as far as it will go until the Bolt fits into the hole of the Top Center Link. **(A)**
5. Tighten the bottom screw on the Flush Bolt.
6. Toggle and lock the Bolt in the Flush Bolt into the disengaged position to expose the top screw. Tighten the top screw. **(B)**

With the top Flush Bolt adjusted, reverse the above procedures to adjust the bottom Flush Bolt to lock into the Bottom Center Link. **(C)**



Install the End Caps

1. Locate the two End Caps.
2. Press the End Caps firmly into place on both ends of the Top Rail. **(A)**



Apply Screen Housing Label

1. Close both screen doors.
2. For installations where the stationary door is on the right hand side, adhere the “AL” Label (from the Vista Screen package) to the left screen housing at the same height as the Latch. Adhere the “BR” Label (from the Double Door Link Kit) to the right screen housing at the same height as the Latch.
3. For installations where the stationary door is on the left hand side, adhere the “AR” Label to the right screen housing, and the “BL” Label to the left screen housing.



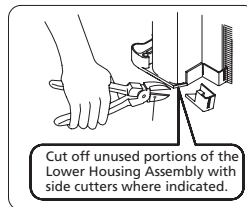
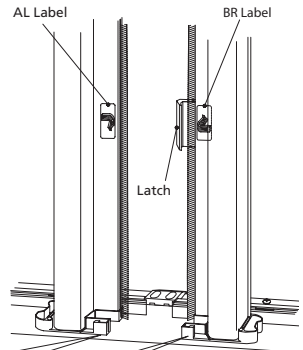
Double Door Link Kit Labels



Vista Screen Labels

Clean up the Lower Housing Assembly

1. Locate the Lower Housing Assemblies on both the right and left Screen Housings.
2. Cut the unused portion of the assembly along the score marks using side cutters as indicated.



The Vista Screen and Double Door Link Kit Installation is Now Complete!

Help *Hotline*

The Vista Screen and Double Door Link Kit was designed for easy sizing and installation. This installation Manual provides a step by step guide through the entire process.

If there are any questions during the installation of the Vista Screen and Double Door Link Kit, visit the Seiki Website at www.seikiscreensystems.com/na.



Seiki provides a number of online manuals on:

- **Product Information**
- **Double Door Link Kit Installation**

Still Have Questions?

*Call the Toll Free Seiki Do it Yourself Hotline:
1-877-446-7180*



Vista Screen and Double Door Link Kit

Limited Lifetime/Non-transferable

Manufacturers Warranty

The Vista Screen and Double Door Link Kit is warranted by Seiki Screen Systems to be free of manufacturers' defects in materials or workmanship, for as long as the original purchaser owns and or resides at that residence and that the product remains at its original point of installation. Seiki Screen Systems will repair or replace at its discretion any component, within the terms and conditions of this warranty, which is deemed as being defective from the manufacturing process upon proof of purchase. This warranty excludes the fiberglass screen mesh. Furthermore this warranty does not cover components damaged through improper use or installation, or if components have been altered from their original state in a manner not otherwise prescribed in this manual. This warranty is strictly limited to defective components only. This non-transferable, limited warranty excludes labor, breakage or damage due to normal wear and tear, lack of maintenance, or use for other than residential applications, accidents and "acts of god". Replacements or repairs made subject to this limited warranty are otherwise warranted for the balance of the original warranty period. Seiki Screen System's liability under this limited warranty is restricted to the corrective actions as set forth herein and contrarily repudiates all incidental and consequential damage. It is the responsibility of the consumer to notify Seiki Screen Systems of missing components, within 30 days of the purchase of the Vista Screen and Double Door Link Kit.

The Vista Screen and Double Door Link Kit is designed to assist in keeping unwanted insects from the home; it is in no way intended as a safety or security device to prevent access by individuals, animals or small children. Liability for any damages, including but not limited to general, special, indirect, incidental, consequential, aggravated, punitive or exemplary damages, and economic loss, as well as for breach of any expressed or implied warranties, including but not limited to implied warranties of merchantability, quality and fitness for any purpose other than as prescribed herein, is disavowed and omitted here from, to the extent that such a disclaimer and preclusions are permitted by the laws of any particular jurisdiction.

Maintenance: Keep Bottom Rail clean and free of debris. Periodic use of silicone spray on the rollers of the Upper Housing Assembly and the Bottom Rail guide is recommended; *do not use petroleum-based lubricants.*

Vista Screen and Double Door Link Kit
Manufactured by
Seiki Screen Systems
INSTALLATION INSTRUCTION MANUAL
For warranty claims
Call 1-877-446-7180
Or email: info@seikiscreensystems.com

For maintenance and helpful hints, please refer to our web site,
www.seikiscreensystems.com/na

