

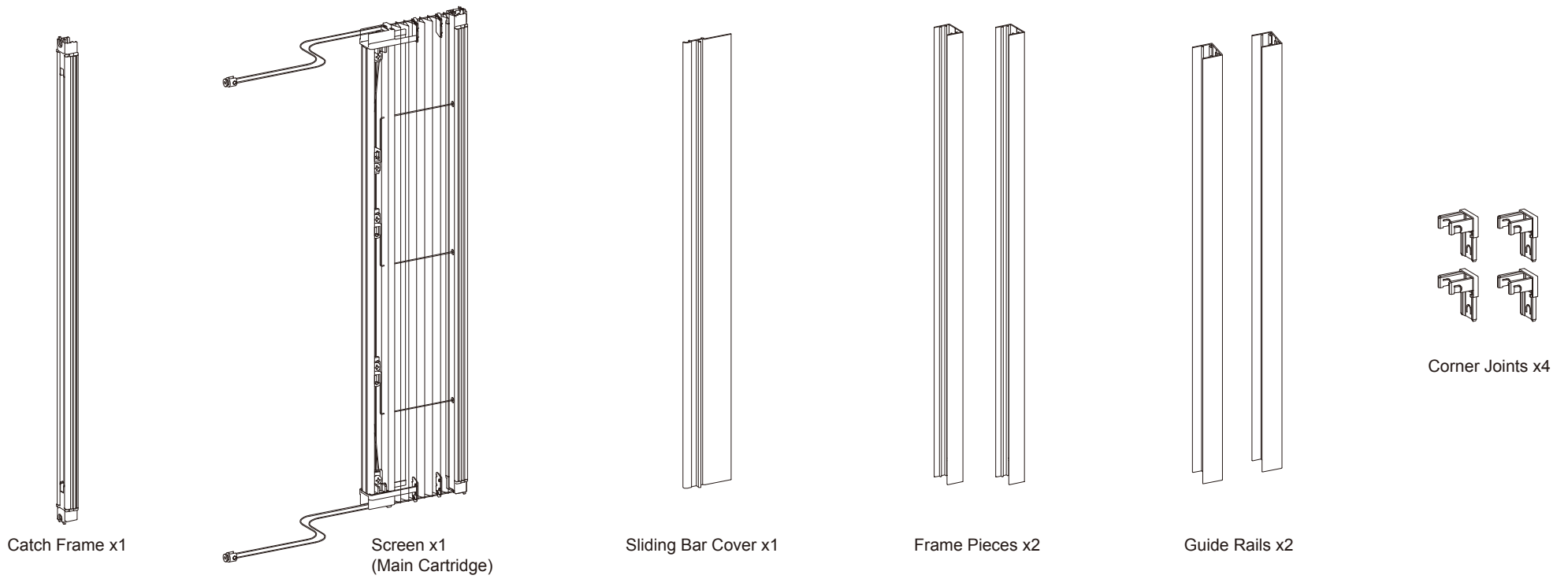
# Installation Manual Monarch Window (Horizontal Sliding / Single Sliding)

SS015-02-010813E

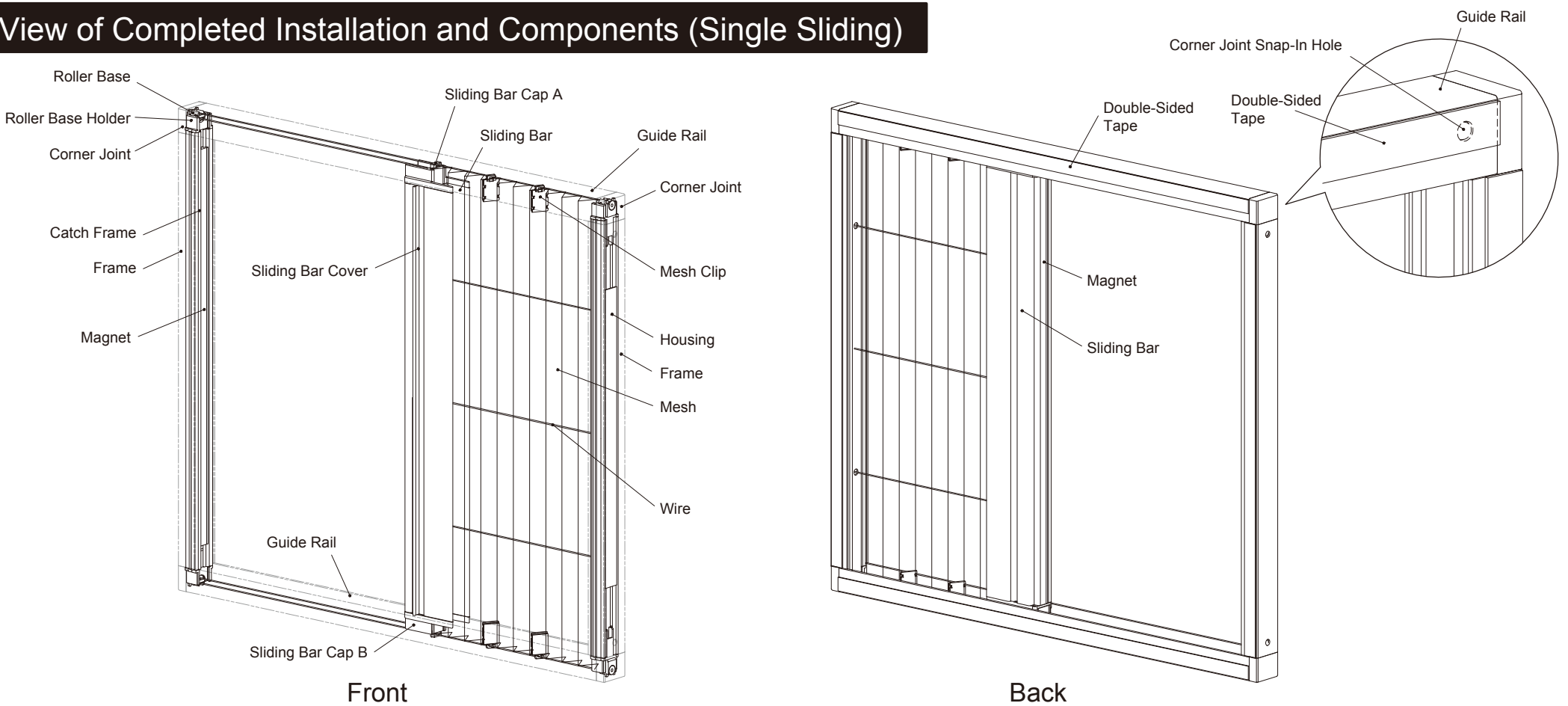
Thank you for purchasing this Monarch Window product.

•Please read the instructions in this manual carefully prior to commencing installation.

## Parts List



## View of Completed Installation and Components (Single Sliding)



## Installation Procedure

### 1. Assembling the frame

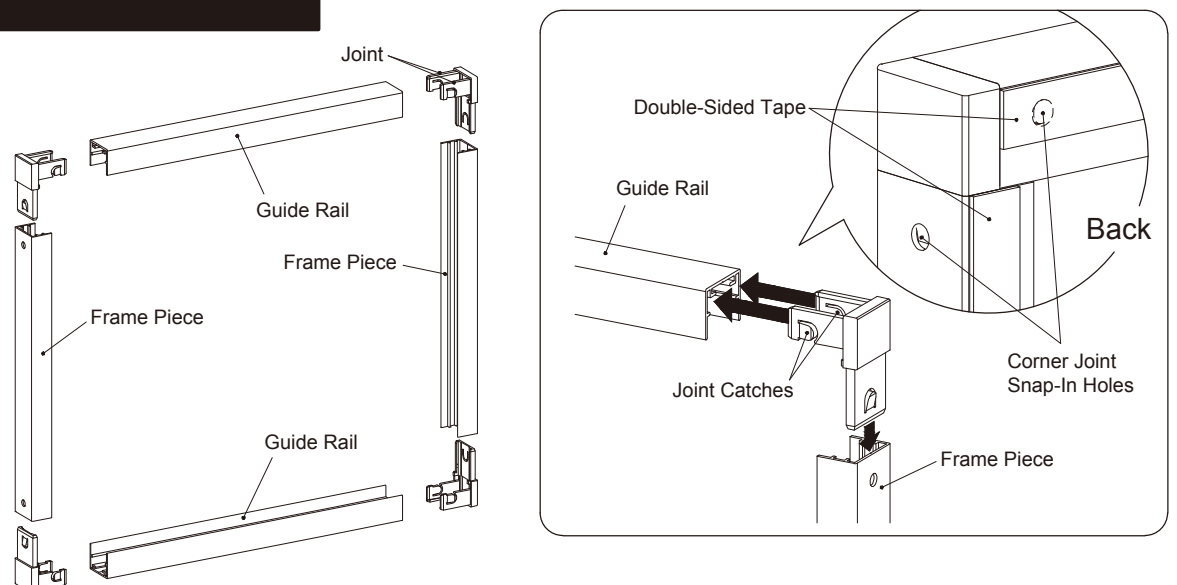
\*Identify the front and back sides of the Frame Pieces (indoor side and outdoor side).

(1) Insert the tabs on the Corner Joints into the Guide Rails as shown.

(2) Make sure that the front and back sides of the Frame Pieces are oriented correctly, and insert the joints into the rails to create a rectangular frame.

\*The side with the Double-Sided Tape is the back side.

**Caution** Make sure that the Joint Catches are properly inserted in the Corner Joint Snap-In Holes in the rails.



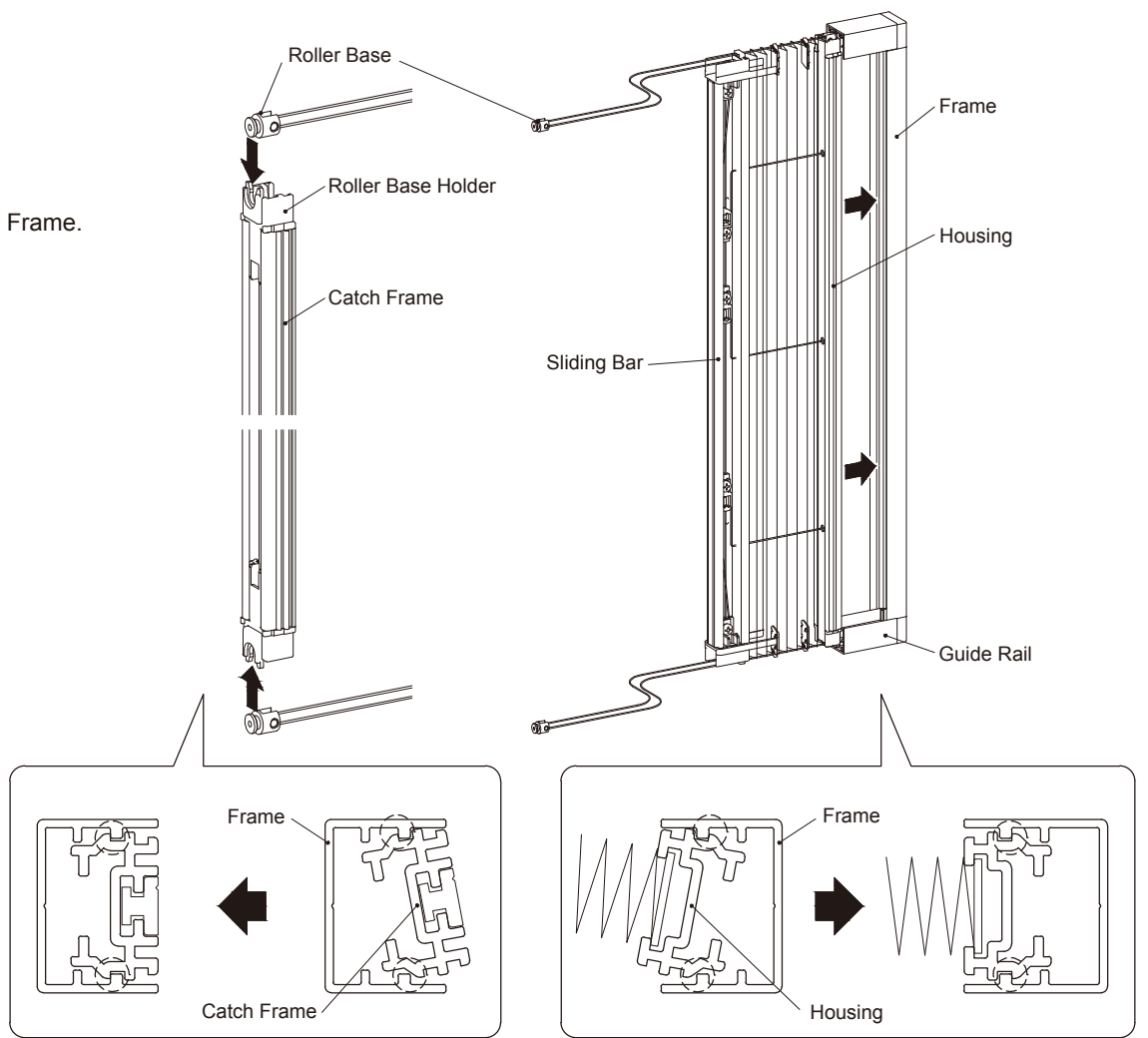
## 2. Installing the Screen (Main Cartridge) to the frame

(1) Pull the wires that extend out from the top and bottom of the Sliding Bar so that the wire inside the Housing is taut, and insert the Housing into the Frame.

\*Take care that the wires are not caught between the Housing and the Frame.

(2) Install the Roller Bases in the Roller Base Holders at the top and bottom of the Catch Frame.

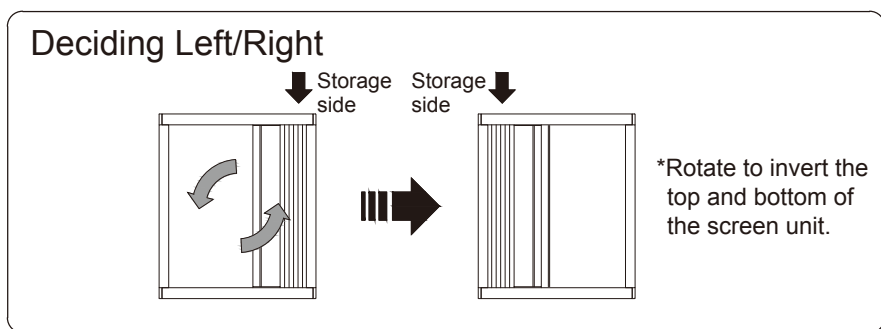
(3) Insert the Catch Frame into the Frame as described in (1).



## 3. Installing the Screen unit

**Caution** Make sure the mounting surfaces are clean before installation.

(1) Refer to the installation dimension drawings at the end of this manual and decide which is the net storage side (left or right), before installing the screen unit.

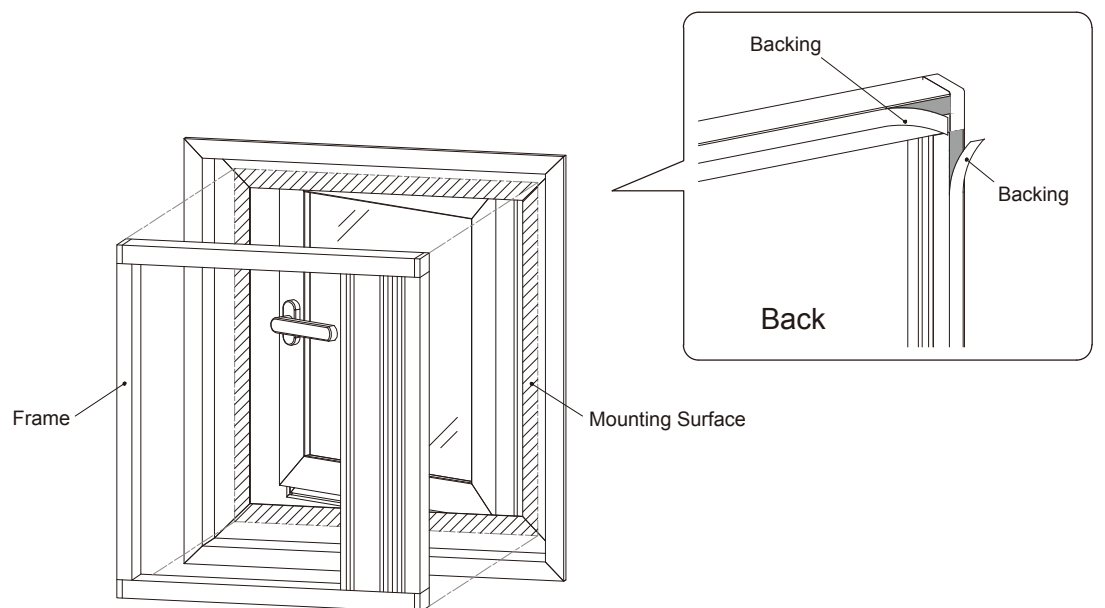
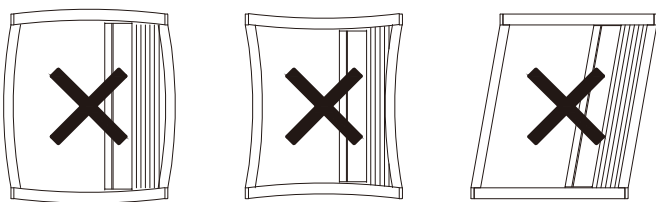


(2) Remove the backing from the Double-Sided Tape on the back, and affix the frame to the window sash.

\*For details on the mounting position, refer to the Reference Installation Dimension Drawings at the end of this manual.

\*After mounting the frame, press down firmly on all parts of the frame to ensure that it is securely attached to the window sash.

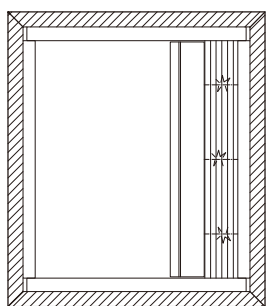
\*Do not install as shown below. This will interfere with operation.



## 4. Adjusting the wire tension

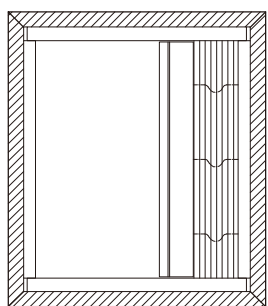
\*If the wire is too tight or too loose, or the Sliding Bar is not parallel to the Frame, adjust the wire tension before attaching the Sliding Bar Cover.

1) Too tight, the screen is difficult to move



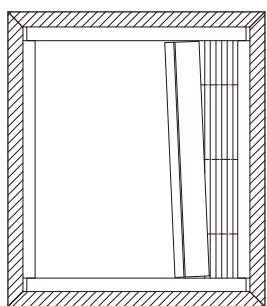
Move both adjusters A and B in the loosening direction

2) Too loose, the wire is slack



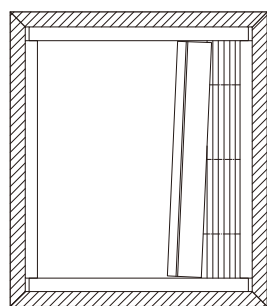
Move both adjusters A and B in the tightening direction

3) Side A is tilted toward the inner side



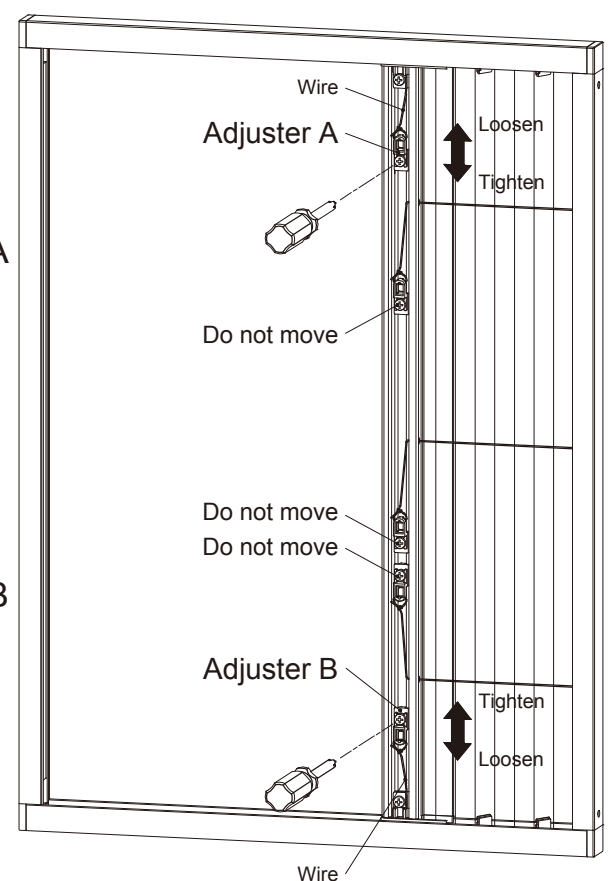
Move adjuster A in the loosening direction, or move adjuster B in the tightening direction

4) Side A is tilted toward the outer side



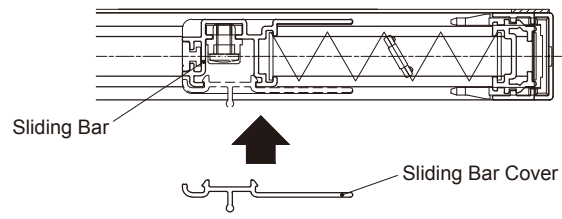
Move adjuster A in the tightening direction, or move adjuster B in the loosening direction

Side A  
Side B



## 5. Attaching the Sliding Bar Cover

Open and close the screen several times to make sure it operates smoothly, and then attach the Sliding Bar Cover on the Sliding Bar.



•This completes installation.

### ■Reference Installation Dimension Drawings

