

# English Sheet Side A

**Monarch**SCREEN  
For single in-swing and out-swing doors! **RETRACTABLE**

**Congratulations and thank you for purchasing a Seiki product!**

**For both Right and Left Hinged Doors. Durable. Reliable. Attractive.**

For door openings up to 36" (914 mm) wide and between 76 9/16" (1947mm) and 80 9/16" (2,047 mm) high. For installations on double hinged doors (French Doors), two Monarch Screens and one Double Door Link Kit will be required. Please refer to the Installation Manual within the "Double Door Link Kit" prior to installation. The Monarch Screen is not intended for installation on a Sliding Patio Door. The Monarch Screen accommodates both in-swing and out-swing doors. Note: The Monarch Screen can only be shortened by 4" (100 mm) to a minimum height of 76 9/16" (1,947 mm). If the door opening is smaller than this, the Monarch Screen will not accommodate the door.

The Monarch Screen was designed for easy sizing and installation. This Installation Manual provides a step by step guide through the entire process. We also recommend visiting the Seiki Website at [www.seikiscreensystems.com/na](http://www.seikiscreensystems.com/na).

**Available accessories:**  
Double Door Link Kit, Replacement Mesh Cartridge, each sold separately.

**Any questions? Contact our Help Line, Toll Free at 1-877-446-7180.**



## Installation Manual for Monarch Screen

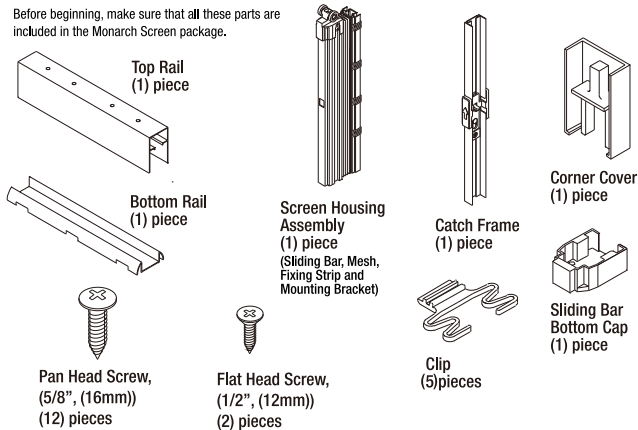
### Tools Required

The Monarch Screen can be sized and installed using common household tools. Make sure all necessary tools are available before beginning. NOTE: A chop saw can be used in place of a hacksaw provided that a bi-metal blade has been properly installed.



### Parts Required

Before beginning, make sure that all these parts are included in the Monarch Screen package.



### 1 Measure the Door Opening

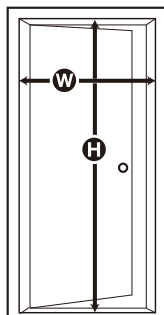
**NOTE:** If the height of the door opening is greater than the maximum height requirement, it is still possible to install the Monarch Screen. Simply attach a filler strip under the top of door frame to reduce the height of the opening to at least 80 9/16" (2,047 mm). Be sure to attach the filler strip before taking height measurement.

The Monarch Screen requires a minimum Mounting Surface of 1 3/4" (45 mm). This mounting surface must be flat and flush, and at a right angle (90°) to the door.

"W" - Measure the width of the opening between right and left surfaces of the door frame, record this dimension in the box below labeled "W".

"H" - Measure the height of the opening between underside of top of door frame (or filler strip), and the top of the door sill at a point 1 3/4" (45 mm) from the front surface of the frame. Record this dimension in the box below labeled "H".

W	=	
H	=	



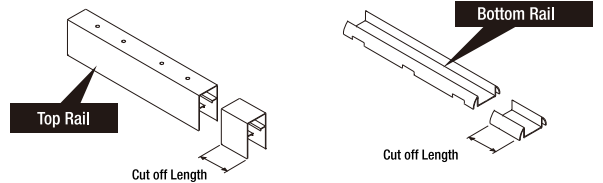
### 2 Cutting the Horizontal Parts:

Calculate the correct Cut off Lengths.

**NOTE:** Safety glasses should be worn at all times during the cutting process.

Maximum Opening Width	Subtract inside door frame width "W"	Enter Cut off Length Below
36" (914 mm)	-	=

Cut from each part the Cut off length provided by calculation performed above.



After cutting any part of the Monarch Screen, use a file to remove any burrs from the surfaces.

### 3 Cutting the Vertical Parts:

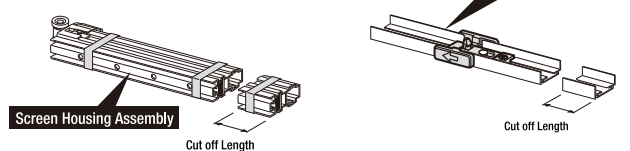
**Important:** Cutting of the Screen Housing Assembly must take place from the bottom of the unit, note the "Cut" / "No Cut" labels, No more than 4" (100 mm) can be cut from the Screen Housing Assembly.

Calculate the correct Cut off Lengths

Maximum Opening Height	Subtract inside door frame height "H"	Enter Cut off Length Below
80 9/16" (2,047mm)	-	=

Cut from each part the Cut off length provided by calculation performed above.

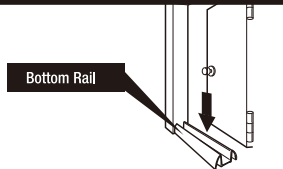
**Do NOT** remove the tape that keeps the components of the Screen Housing Assembly secure until sizing procedure is complete.



Note: Safety glasses should be worn during cutting process. After cutting any part of the Monarch Screen, use a file to remove any burrs from the surfaces.

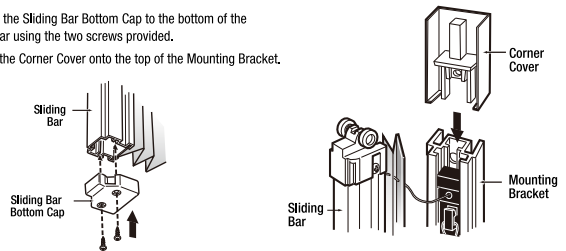
### 4 Installing the Bottom Rail

Remove the backing from the double sided tape on the bottom of the Bottom Rail. Attach the Bottom Rail on the door sill, placing the front edge of the Bottom Rail even with the face or front edge of the door frame on both sides of the opening.



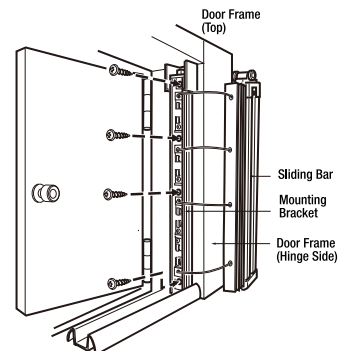
### 5 Prepare the Screen Housing Assembly

1. Attach the Sliding Bar Bottom Cap to the bottom of the Sliding Bar using the two screws provided.
2. Insert the Corner Cover onto the top of the Mounting Bracket.



### 6 Installing the Mounting Bracket

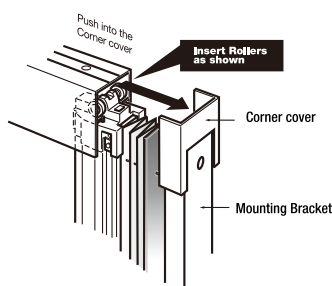
1. Remove the backing of the adhesive strip on the back of the Mounting Bracket.
2. Insert the bottom of the Mounting Bracket into the track of the Bottom Rail on the hinge side of the door.
3. Push the Mounting Bracket upwards, ensuring that the top of the Corner Cover is tight against the upper portion of the door frame.
4. Using a level, ensure that the Mounting Bracket is positioned plumb. Then press the Mounting Bracket firmly against the door frame, allowing the adhesive tape to temporarily hold it in place.
5. Move the Sliding Bar and Mesh off to the side as indicated in the illustration.
6. Using the provided screws, secure the Mounting Bracket to the door frame.
7. Return the Sliding Bar and Mesh back to its original position, in front of the Mounting Bracket.



# English Sheet Side B

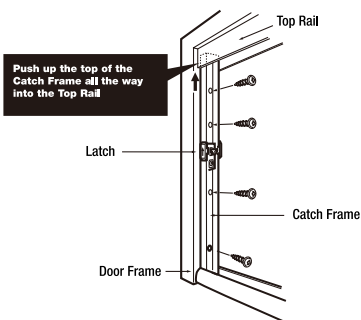
## 7 Installing the Top Rail

1. Remove the backing of the adhesive tape on the top of the Top Rail.
2. Insert the Rollers at the top of the Sliding Bar into the Top Rail, then push the Top Rail into the Corner Cover on the top of the Mounting Bracket.
3. Position the Top Rail along the top of the door frame at a 90° angle to the side mounting surfaces.
4. Making sure that the Top Rail is tight against the side of the door frame opposite the Mounting Bracket, press firmly in place, allowing the adhesive tape to temporarily hold it in place.
5. Using the 5/8", (16mm) screws provided, secure the Top Rail to the door frame.



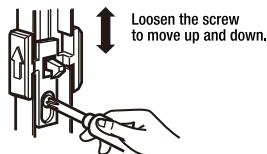
## 8 Installing the Catch Frame

1. Insert bottom of Catch Frame inside the Bottom Rail and top of Catch Frame into the Top Rail, and position against the door frame on the opposite side of the Screen Housing Assembly.
2. Lift the Catch Frame upward into the Top Rail as far as it will go, and secure to the door frame using the provided wood screws.



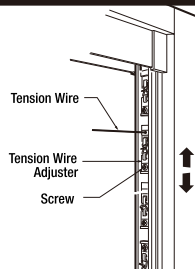
## 9 Adjusting the Latch

- Pull Sliding Bar over to the Catch Frame and verify that the Latch can be engaged, if the Latch cannot be engaged, adjust it by following the procedure shown in the diagram.
- Loosen the screw, adjust the height of the Latch until it engages with the Sliding Bar. Tighten the screw, careful not to over tighten.



## 10 Adjusting the Tension Wires

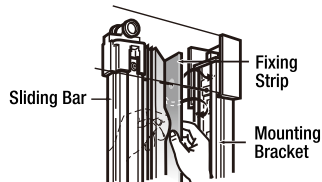
1. With the Sliding Bar closed and engaged with the Latch, loosen the screw of the topmost Tension Wire Adjuster. Slide it up or down until snug, and any sag has been removed from the Tension Wire.
  2. Tighten the screw to secure. Note: do not over tighten the tension on the Tension Wire.
  2. If any of the other Tension Wires are sagging, perform the same procedure with each adjuster. If any of the situations below occur, follow the appropriate procedure to correct the situation.
- After adjusting the tension, move the Sliding Bar two or three times to check the operation of the Monarch Screen.



Situation #1	Situation #2	Situation #3
 <b>Gap</b>	 <b>Gap</b>	 <b>Loose Tension Wire</b>
<b>Solution #1</b> Keep the topmost Tension Wire Adjuster fixed, loosen the remaining Adjusters. Starting from the bottom Adjuster, adjust the tension of each wire to remove the gap as well as any sag in the Tension Wires.	<b>Solution #2</b> To correct this situation, reverse the steps in Situation #1 starting from the top Adjuster.	<b>Solution #3</b> Tighten the tension of the loose Tension Wire to the same tension as the other Tension Wires.

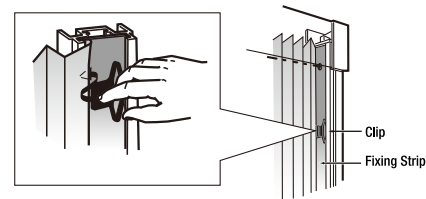
## 11 Attach the Fixing Strip

- Insert one edge of the Fixing Strip into the Mounting Bracket.
- Push the other edge of the Fixing Strip into the Mounting Bracket.

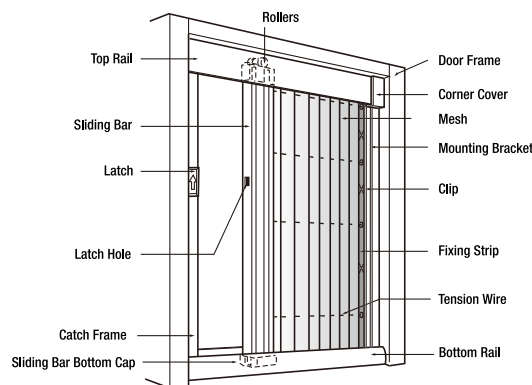


## 12 Installing the Clips

- Insert the Clips into the Mounting Bracket evenly between the Tension Wires keeping the ribbed face of the Clip facing outward, refer to the diagram.



## Finished Installation



## Maintenance Tips

The Monarch Screen is designed and engineered to be maintenance free. The following are some helpful hints to ensure the smooth operation of the Monarch Screen for years to come.

- All moving components used in the Monarch Screen are manufactured from a mixture of nylon and other materials. This combination of compounds is strong, impact resistant, and self-lubricating. Do not use oil, grease, or oil based sprays or lubricants on any of the components on the Monarch Screen. These products attract dirt and debris, and may cause the Monarch Screen to react abnormally. However, the periodic application of a dry silicon lubricant to the moving parts is permissible.
- We recommend that while not in use, the Monarch Screen be kept in the retracted position. This will help extend the life of the screen mesh. In the retracted position, the mesh is protected and kept clean.
- The Screen Mesh and Bottom Rail should be kept free of dirt and debris. Lightly vacuum to remove any obstructions from the Screen Mesh and Bottom Rail.

## Warranty

### Monarch Screen Limited Lifetime/Non-transferable Manufacturers Warranty

The Monarch Screen is warranted by Seiki Screen Systems to be free of manufacturers' defects in materials or workmanship, for as long as the original purchaser owns and or resides at that residence and that the product remains at its original point of installation

Seiki Screen Systems will repair or replace at its discretion any component, within the terms and conditions of this warranty, which is deemed as being defective from the manufacturing process upon proof of purchase.

This warranty excludes the screen mesh. Furthermore this warranty does not cover components damaged through improper use or installation, or if components have been altered from their original state in a manner not otherwise prescribed in the Monarch Screen Installation Instructions. This warranty is strictly limited to defective components only.

This non-transferable, limited warranty excludes labor, breakage or damage due to normal wear and tear, lack of maintenance (as illustrated in our Installation Instructions), or use for other than residential applications, accidents and "acts of god". Replacements or repairs made subject to this limited warranty are otherwise warranted for the balance of the original warranty period, Seiki Screen System's liability under this limited warranty is restricted to the corrective actions as set forth herein and contrarily repudiates all incidental and consequential damage. It is the responsibility of the consumer to notify Seiki Screen Systems of missing components, within 30 days of the purchase of the Monarch Screen.

The Monarch Screen is designed to assist in keeping unwanted insects from the home; it is in no way intended as a safety or security device to prevent access by individuals, animals or small children. Liability for any damages, including but not limited to general, special, indirect, incidental, consequential, aggravated, punitive or exemplary damages, and economic loss, as well as for breach of any expressed or implied warranties, including but not limited to implied warranties of merchantability, quality and fitness for any purpose other than as prescribed herein, is disavowed and omitted here from, to the extent that such a disclaimer and preclusions are permitted by the laws of any particular jurisdiction.

Maintenance: Keep Bottom Rail clean and free of debris. Periodic use of silicone spray to the rollers on the top of the Sliding Bar is recommended, do not use petroleum based lubricants.

Monarch Screen  
Manufactured by  
Seiki Screen Systems  
INSTALLATION INSTRUCTION MANUAL  
For warranty claims  
Call 1-877-446-7180  
Or email: info@seikiscreensystems.com  
For maintenance and helpful hints, please refer to our web site,  
www.seikiscreensystems.com/na