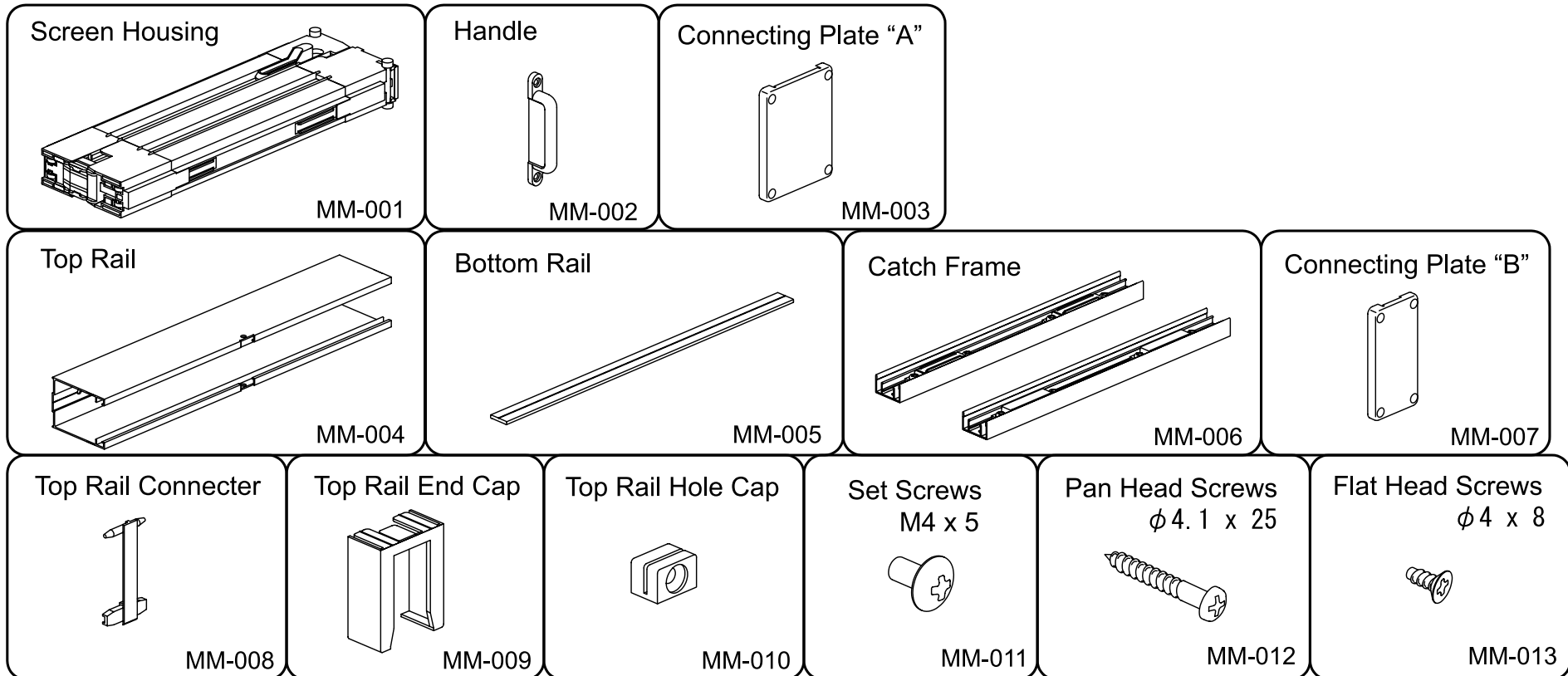


Please review this manual prior to installation, and use as reference during the installation process.

Parts included in the package

(Recognize and identify the components of the screen.)



(Some screws shown above may not be needed for installation depending on the product size.)

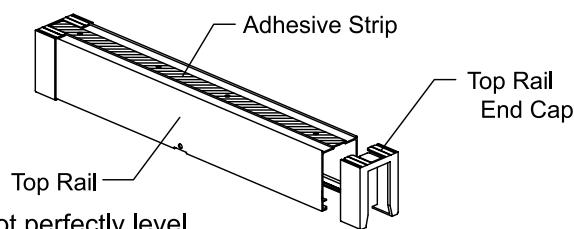
Installation Procedure

1 Installing Top Rail

(1) Fit End Caps to either end of Top Rail.

Note: An installation may consist of multiple Top Rails joined in sequence, in any case, the Top Rail (or rails assembled as one) should be fitted with an End Cap at either end.

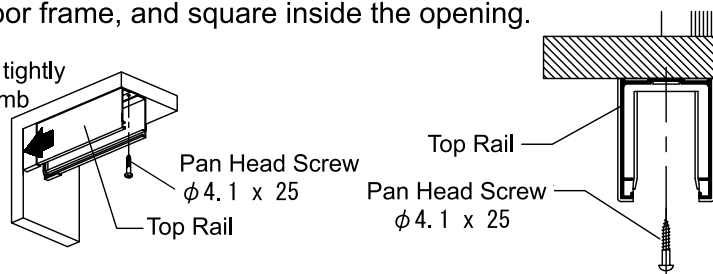
Note: Prior to installing the Top Rail, check the surface to be installed on for level. If not perfectly level shims/ spacers must be installed between the Top Rail and mounting surface or head jamb to correct the problem. Mounting Top Rails out of level may cause the screen to bind inside the opening.



(2) Peel backing from the adhesive strip. Press the Top Rail (Rails) onto the mounting surface, or header of door frame, keeping it centered in the opening and parallel to the door frame.

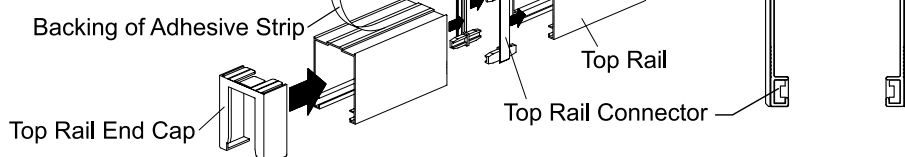
(3) Slide the End Caps to fit tightly against the side jambs of the frame or mounting surface and secure the Top Rail (Rails) in place with the Pan Head Screws provided. For best results, the Top Rail should be installed parallel to the door frame, and square inside the opening.

Slide End Cap tightly against side jamb

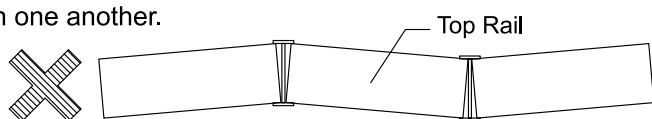


<Joining Multiple Top Rails>

For installations requiring more than one Top Rail to be joined in sequence, insert the Top Rail Connectors into Top Rails as illustrated below.



Note: When installing multiple Top Rails in sequence, they must be perfectly aligned with one another.

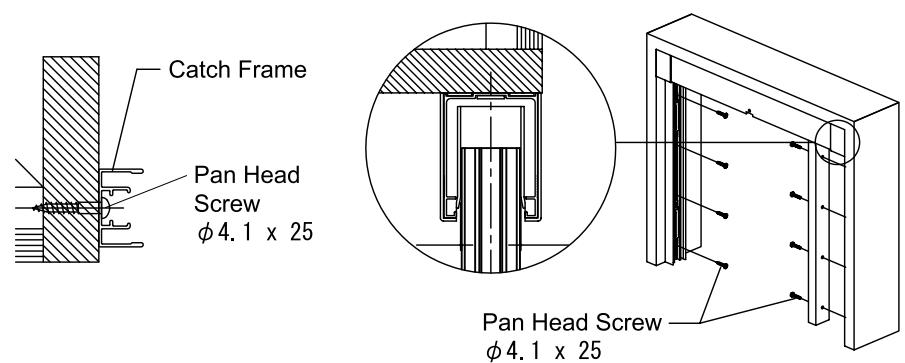


2 Installing the Catch Frames

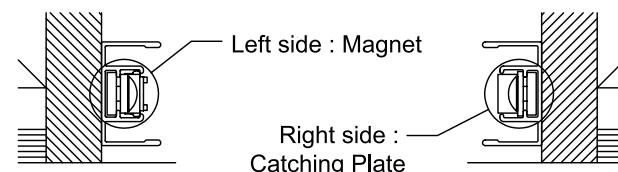
There are two types of Catch Frames included. One Catch Frame is equipped with a magnet, this unit is to be installed on the left side of the opening, the other on the right.

(1) Insert each Catch Frame into the center of the Top Rail. Using a plumb line, install the Catch Frame using the pan head screws perfectly plumb on the mounting surface.

Note: The Catch Frame should be lowered to meet the floor.



Caution Install the Catch Frame with Magnet on the left side.



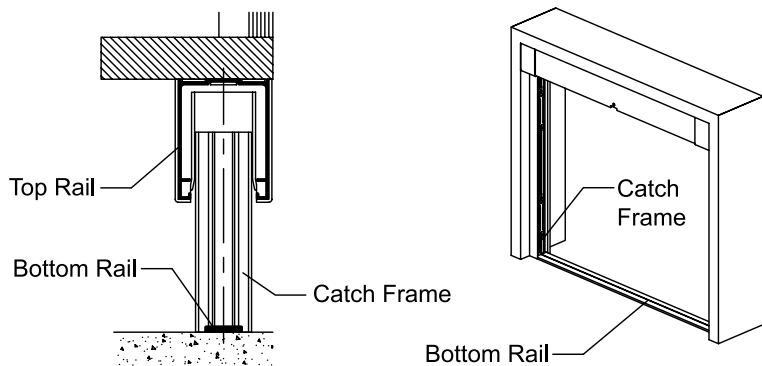
3 Installing the Bottom Rail

Clean the surface on which the Bottom Rail is to be installed on. Check the surface for level, if the surface is uneven or out of level, steps must be taken to correct this.

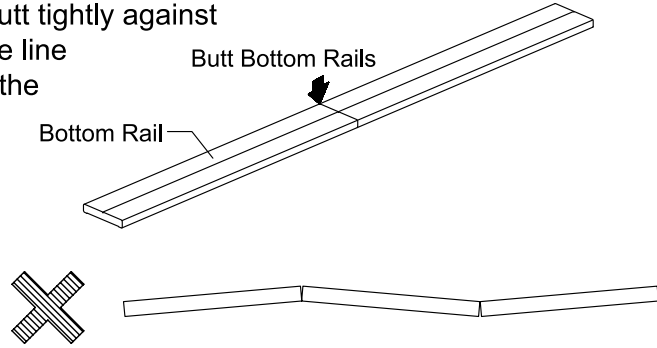
(1) After preparing the surface, draw a straight reference line between the two Catch Frames at either end of the opening using the center of the Catch Frames as points of reference.

(2) Peel the backing from the Adhesive Strip.

(3) Starting at either left or right Catch Frame, align the center (V-Groove) of the Bottom Rail with the center of the opposing Catch Frame if only a single Bottom Rail is required.



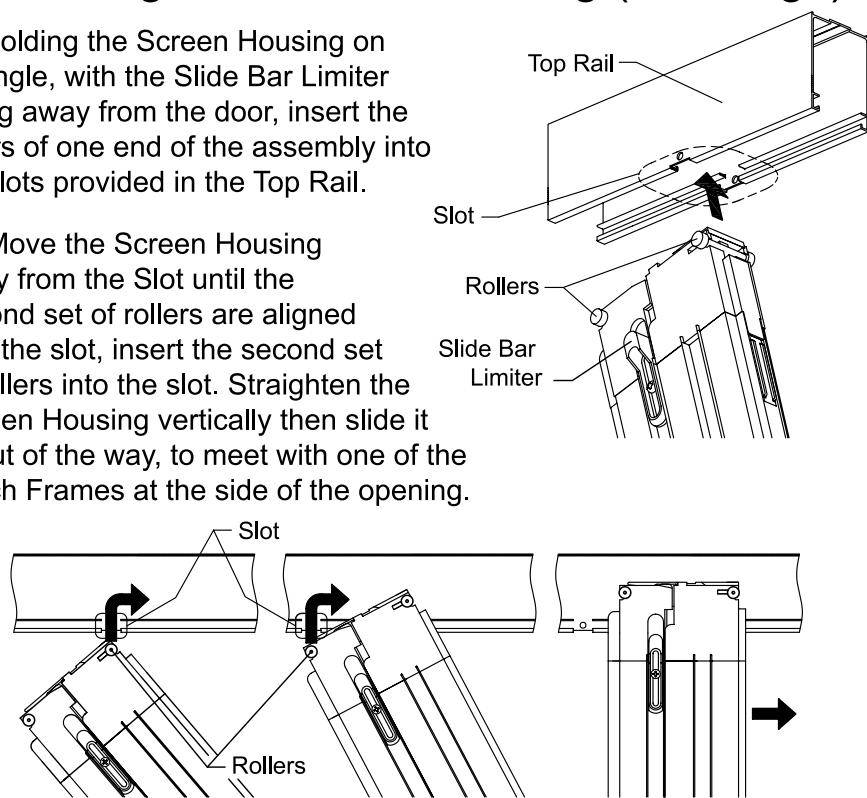
Note: If installing multiple Bottom Rails: all subsequent Bottom Rails should be installed butt tightly against one another using the line previously drawn on the mounting surface for reference.



4 Installing the Screen Housing (Housings)

(1) Holding the Screen Housing on an angle, with the Slide Bar Limiter facing away from the door, insert the rollers of one end of the assembly into the slots provided in the Top Rail.

(2) Move the Screen Housing away from the Slot until the second set of rollers are aligned with the slot, insert the second set of rollers into the slot. Straighten the Screen Housing vertically then slide it to out of the way, to meet with one of the Catch Frames at the side of the opening.



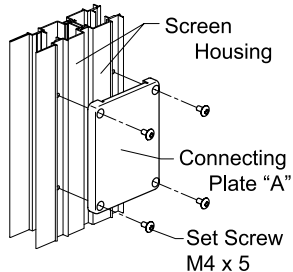
5 Installing the Handles and Connecting Plates

Note: Connecting Plates "A"s are only included in sets that require more than one Screen Housing.

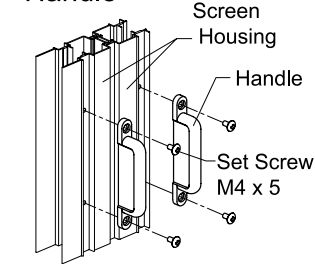
Note: Connecting Plate "A" is used for connecting Screen Housings to one another, Connecting Plate "B" is used for connecting a Screen Housing to a Catch Frame.

Note: When neither a Handle nor Connecting Plate is required, insert screws provided to cover the holes.

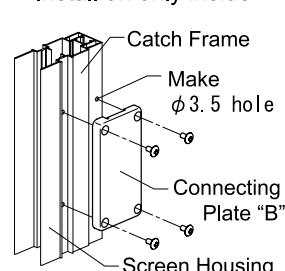
<Connecting Plate "A">
*Install on both inside and outside.



<Handle>

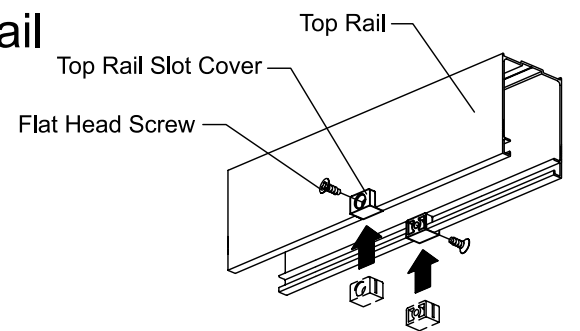


<Connecting Plate "B">
*Install on only inside.



6 Installing Top Rail Slot Covers

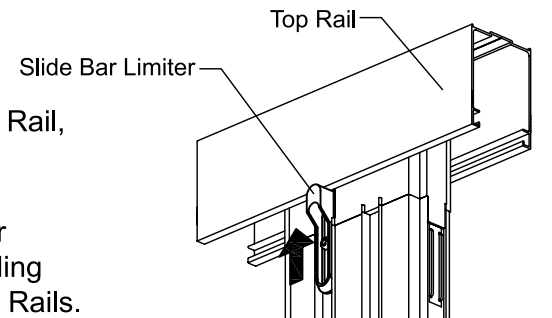
(1) Insert the Slot Cover into the Top Rails as indicated. Use the flat head screw provided to secure the Cover.



7 Adjust the Slide Bar Limiter

(1) With the Screen Housing set plumb in the opening, loosen the screw on the Limiter, slide the Limiter against the Top Rail, secure with the screw.

Note: The function of the Limiter is to assist with keeping the Sliding Bar firmly seated on the Bottom Rails.

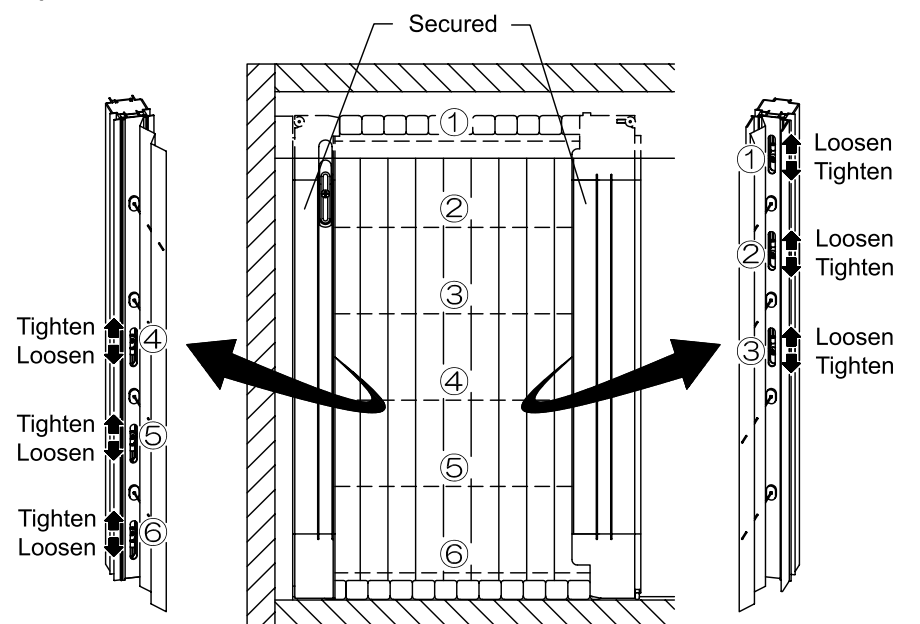


8 Adjusting Tension Wires

In the event that one or more of the Tension Wires are too loose, (this is generally indicated when sagging is observed in the wires, or otherwise too tight, follow the steps below to adjust the tension.

Note: Prior to adjusting Tension Wires, close the screen so that the opening is fully screened in.

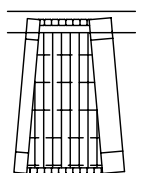
(1) Loosen the screw slightly to each adjuster requiring adjustment.
(2) With screw loose, move the adjuster in the appropriate direction as illustrated below to correct the sag or over tight wire, then re-secure. Repeat this method for all subsequent Tension Wires needing adjustment.



Note: If movement of the Sliding Bar appears to require too much effort, this may be caused by Tension Wires being too tight. Rectify this issue by loosening all Wire Adjusters approximately 1/8" (3mm), repeat if the movement is still too stiff.

<Adjusting diagonal alignment of Sliding Bar/ Screen Housing>

(1) When units are misaligned as indicated, this is caused by the top adjusters being tighter than the bottom adjusters. Loosen tension to the top adjuster, and increase tension to bottom adjuster. Finally, adjust the remaining adjusters between the top and bottom to the same tension.



(2) If the reverse misalignment to the above is observed, increase the tension to the top adjusters, and decrease tension to bottom adjusters. Again, adjust the remaining adjusters to the same tension as the top and bottom adjusters.

