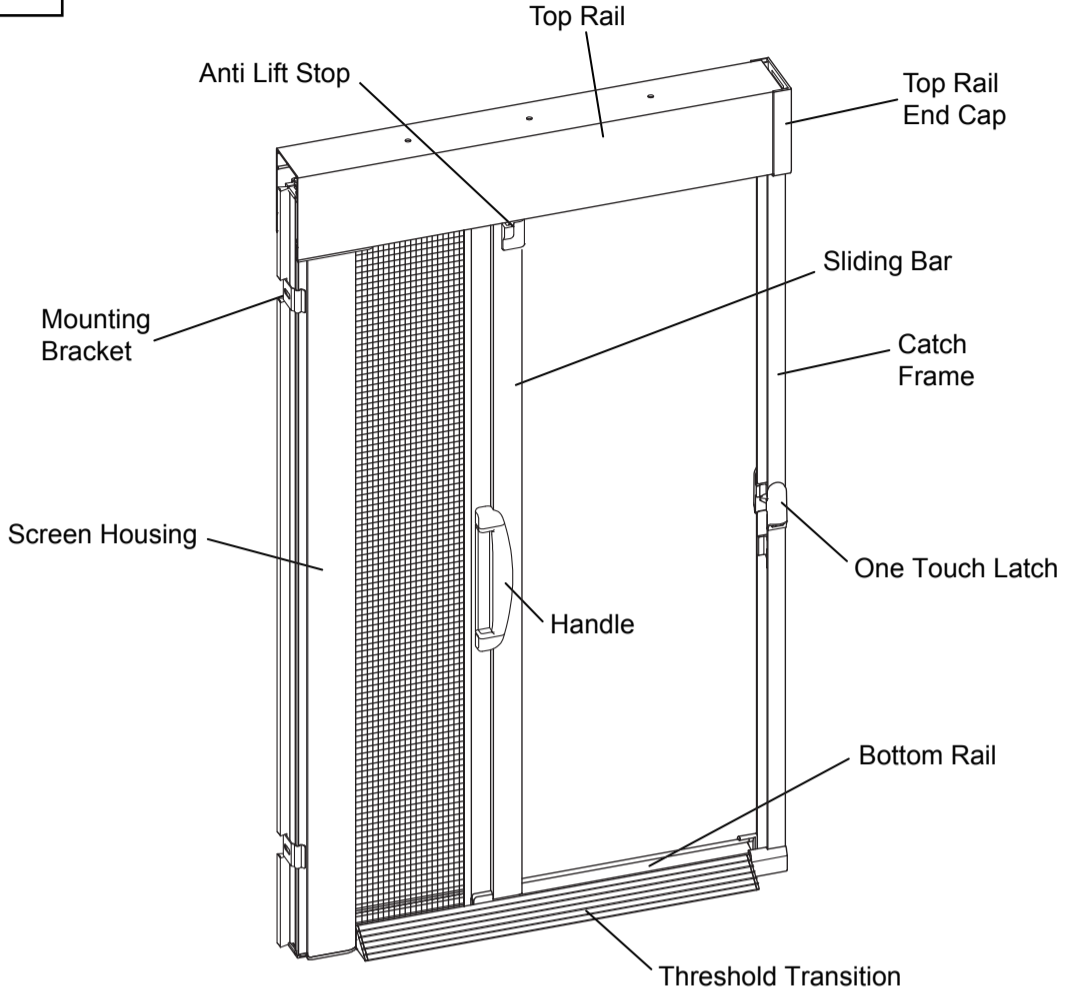


Installation Manual  
**Bella-View**  
 (Retractable Screens)



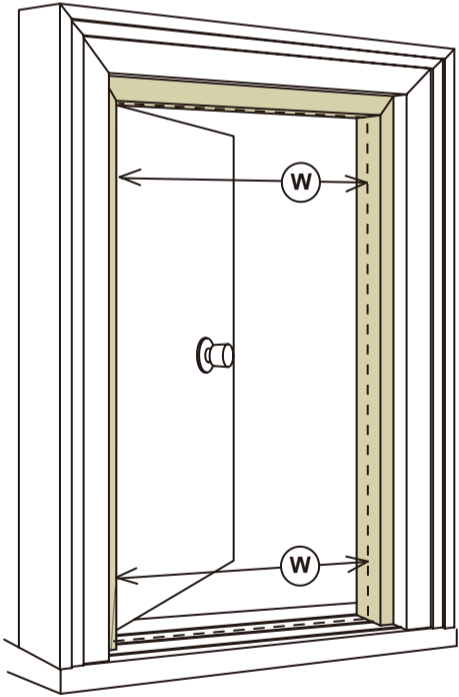
BV-AUG2013

**Screen Components**



**Step #1 Measuring the width of the opening**

- (1) Measure the dimension between the right and left sides of the door frame at both the top and bottom of the doorway. Record the smallest of the two in the box below.



Width (W)

**Step #2 Determining the cutting length for horizontal components**

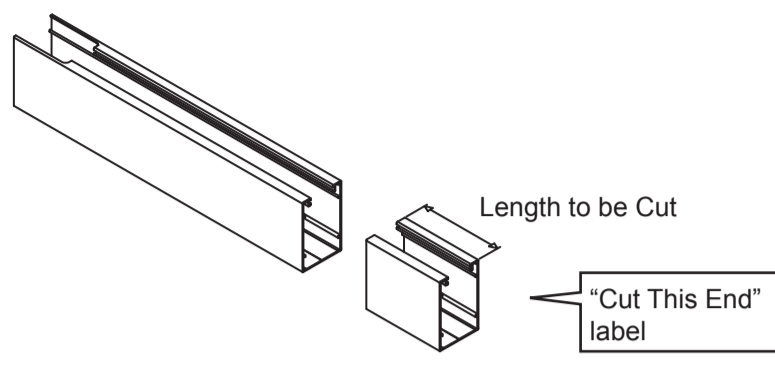
- (1) Determining the Length to be Cut from the Top Rail, Bottom Rail, Angle Spacer and Threshold Transition, using the following formula.

	(Measured Width)		(Length to be cut off)	
36" (914mm)	-	[            ]	=	[            ]

**Step #3 Cutting the horizontal components**

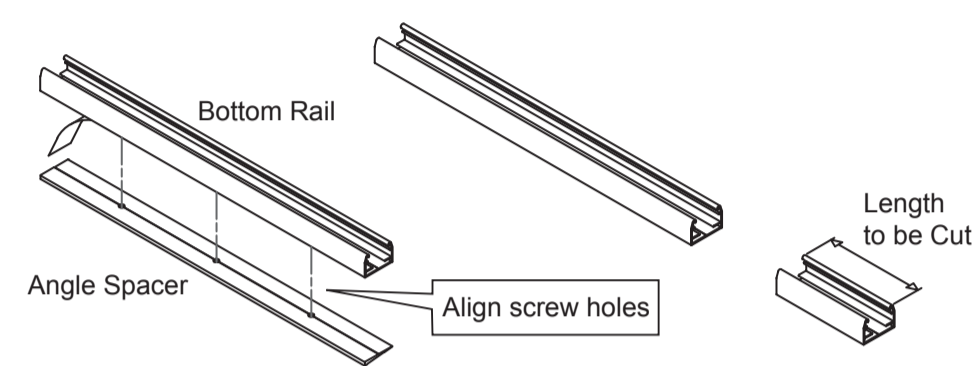
**Cutting the Top Rail**

- (1) Using the "Length to be Cut" dimension calculated in Step #2, measure from the end of the Top Rail with "Cut This End" label and mark.
- (2) Cut straight through the Top Rail.



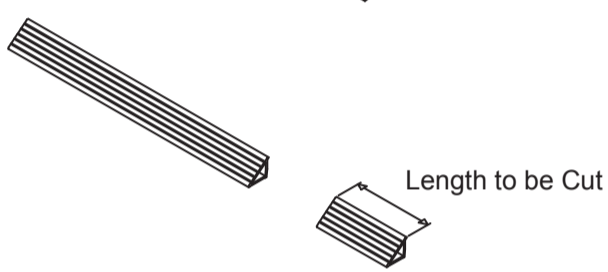
**Cutting the Bottom Rail**

- (1) Only in the case the Angle Spacer is needed, attach it beneath the Bottom Rail aligning screw holes on them, before cutting the Bottom Rail.
- (2) Using the "Length to be Cut" dimension calculated in Step #2, measure and mark the Bottom Rail.
- (3) Cut straight through the Bottom Rail.



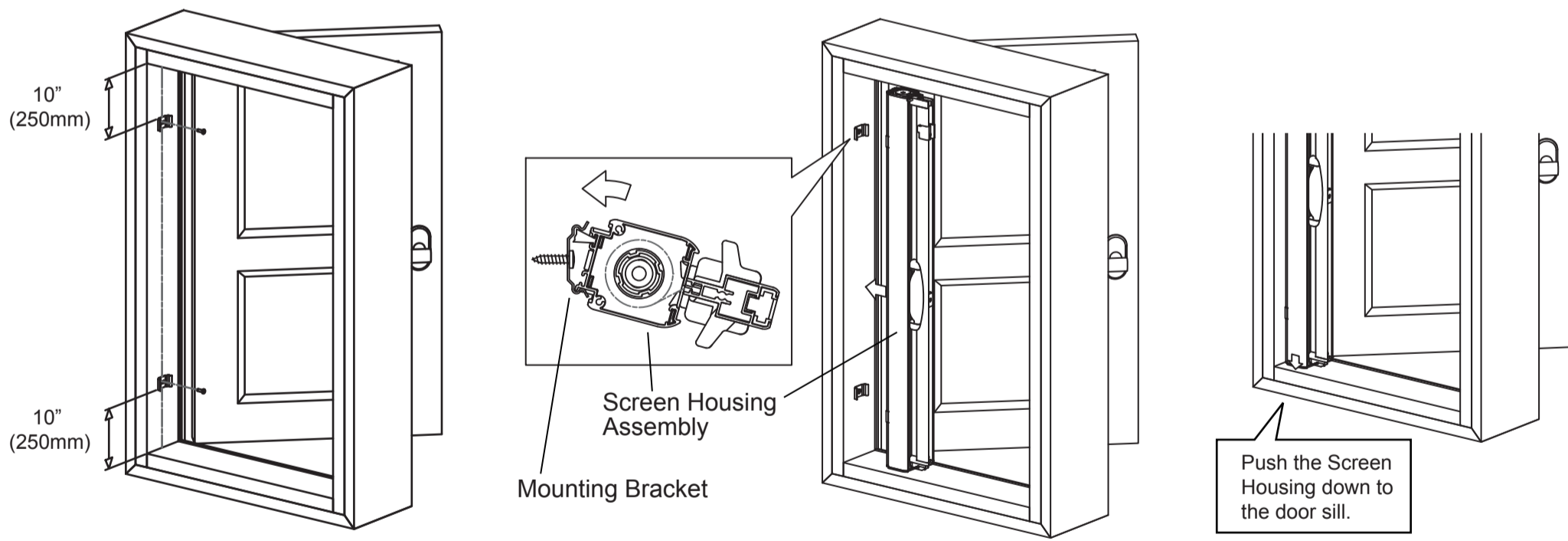
**Cutting the Threshold Transition**

- (1) Using the "Length to be Cut" dimension calculated in Step #2, measure and mark the Threshold Transition.
- (2) Cut straight through the Threshold Transition.



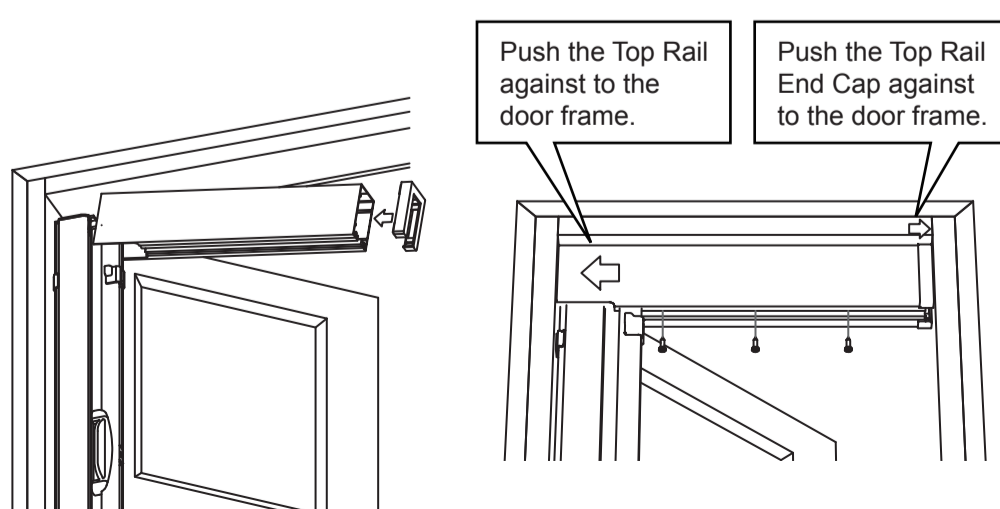
**Step #4 Installing the Screen Housing Assembly**

- (1) Secure the Mounting Brackets to the door frame using the screws provided. (Refer to the image below for recommended location.)
  - (2) Place the front corner of the Screen Housing in the front edge of all the Mounting Brackets.
  - (3) Pivot Screen Housing along this point until the back of it snaps into the Mounting Bracket.
- Note: It is important that the bottom of the Screen Housing fits tight to the door sill.



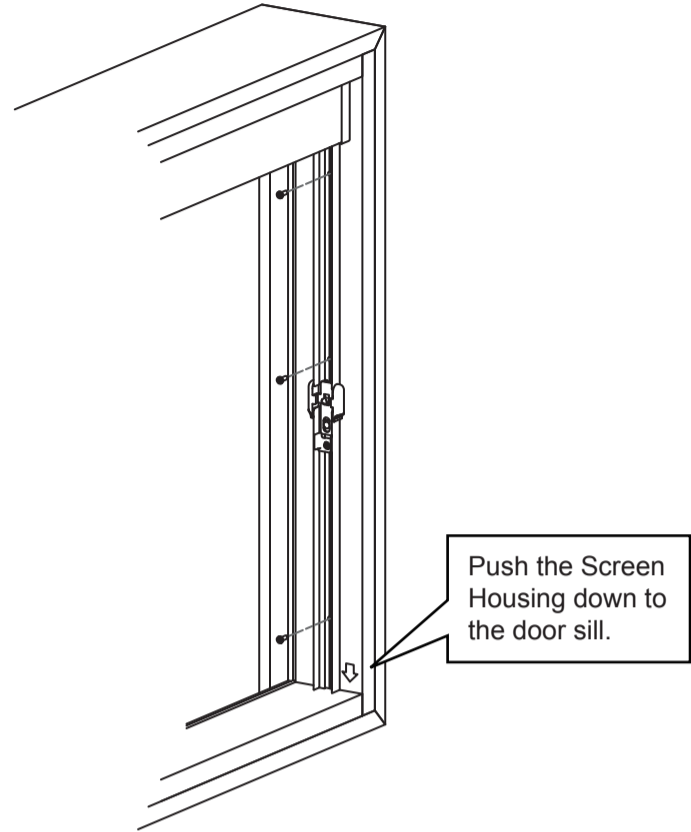
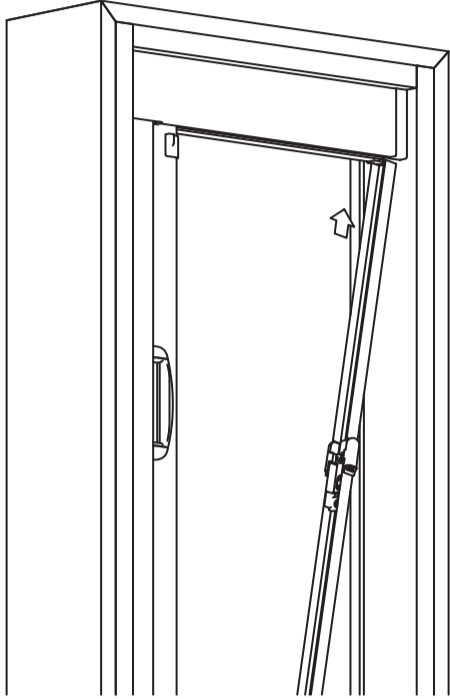
**Step #5 Installing the Top Rail**

- (1) Install the Top Rail End Cap onto the end of the Top Rail without slot.
- (2) Insert the Top Rail to the top of the Screen Housing as far as it will go.
- (3) Secure the Top Rail using the screws provided.
- (4) Slide the Top Rail End Cap so that any space can be seen between the Top Rail and the door frame.



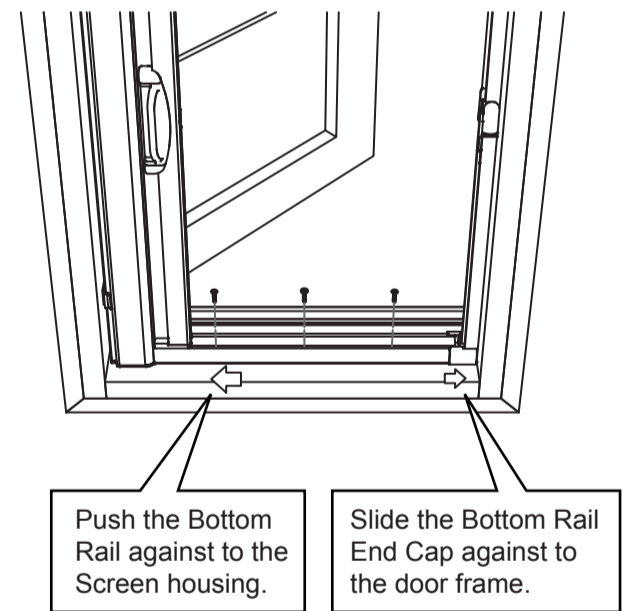
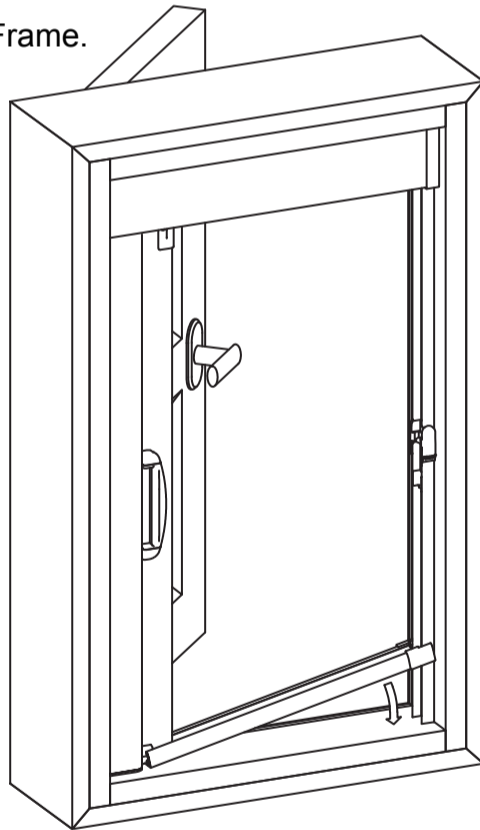
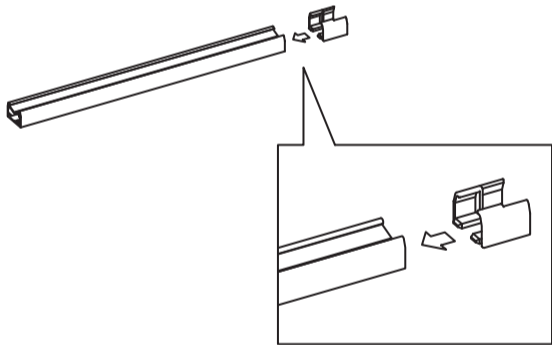
### Step #6 Installing the Catch Frame

- (1) Insert the Catch Frame into the bottom of the Top Rail End Cap.
- (2) Ensure that the bottom of the Catch Frame fits tight to the door sill.
- (3) Secure the Catch Frame with the screws provided.



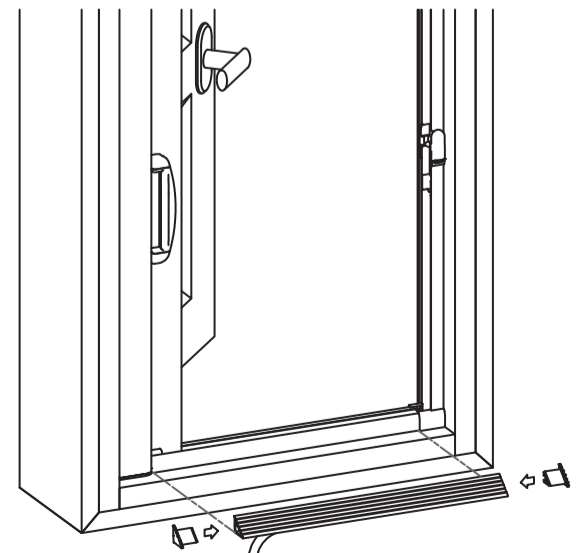
### Step #7 Installing the Bottom Rail

- (1) Insert the Bottom Rail End Cap onto the Bottom Rail.
- (2) Insert the other end of the Bottom Rail beneath the Sliding Bar as far as it will go.
- (3) Pivot the Bottom Rail and place it onto the door sill.
- (4) Slide the Bottom Rail End Cap against to the Catch Frame.
- (5) Fasten the Bottom Rail with the screws provided.



### Step #8 Installing the Threshold Transition

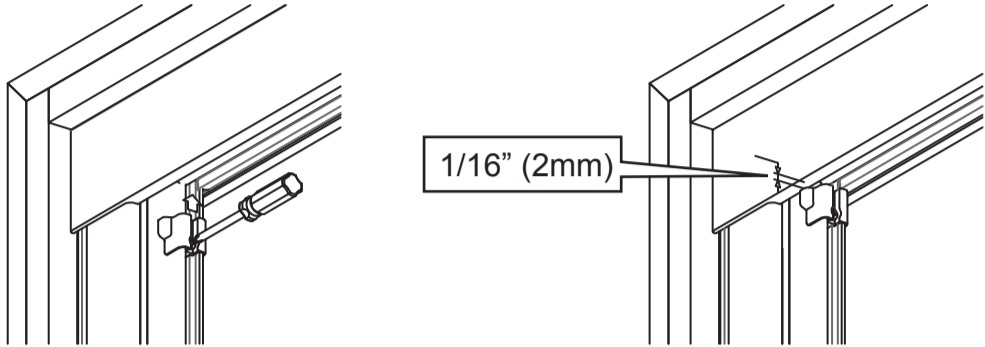
- (1) Install the Threshold Transition End Caps on both ends of the Threshold Transition.
  - (2) Remove the backing from the Threshold Transition.
  - (3) Secure the Threshold Transition in front of the Bottom Rail.
- Note; the Threshold Transition is usually placed a side of the Bottom Rail away from the door.



**Step #9 Final Steps**

**Adjusting the Anti Lift Stop**

- (1) Loosen the set screw on the Anti Lift Stop on the Sliding Bar.
- (2) Slide the Anti Lift Stop upward until it is positioned approximately 1/16" (2mm) from the underside of the Top Rail.
- (3) Tighten the set screw to secure in place.



**Installing the Top Rail Hole Caps**

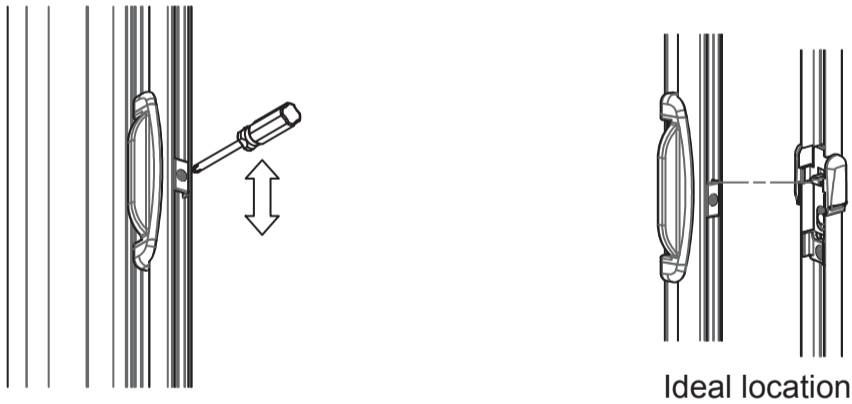
- (1) Snap the Top Rail Hole Caps into the slot on the underside of the Top Rail from the front and the back side of the Screen Housing.



**Adjusting the Catch**

Note; only in the case the Latch doesn't make a secure contact with the Catch, adjust the location of the Catch in the following procedures.

- (1) Loosen the screw on the Catch.
- (2) Move the Catch up and down until the Latch makes a secure contact with the Catch. (Refer to the "Ideal location" below.)
- (3) Tighten the screw to secure in place.



**Congratulations! You have now completed the installation!**

Designed & Manufactured by Seiki Screen Systems®



Seiki Screen Systems  
www.seikiscreensystems.com